



INSTRUCTION MANUAL

3000W ELECTRIC VERTICAL 7-TON LOGSPLITTER

MODEL NO: THLSV7 -- PRODUCT NO: 1938182001

EN - ORIGINAL INSTRUCTIONS

ASSEMBLY REQUIRED – TWO PERSON

SAVE THESE INSTRUCTIONS

SPARES & SUPPORT: 01793 333212

FOR YOUR SAFETY

Please read & understand this manual, paying attention to the safety instructions, before use.

Incorrect use of the product could put the operator or machine in danger.

Whilst every effort has been made to ensure the accuracy of information contained in this manual, our policy of continuous improvement determines the right to make modifications without prior warning.

Images used are for illustration purposes only

Copyright Notice

Copyright © Handy Distribution

Permission is granted to reproduce this publication for personal & educational use only.

Commercial copying, redistribution, hiring or lending is prohibited.

No part of this publication may be stored in a retrieval system or transmitted in any other form or means without written permission from Handy Distribution.

In all cases this copyright notice must remain intact.

CONTENTS

SPECIFICATIONS

IMPORTANT INFORMATION

GENERAL SAFETY INSTRUCTIONS

SET UP & PREPARATION FOR OPERATION

KNOW YOUR MACHINE

OPERATION

CHECKING & REPLACING HYDRAULIC OIL

TROUBLE SHOOTING

MAINTENANCE & STORAGE

WIRING & HYDRAULIC SYSTEM DIAGRAMS

EC DECLARATION OF CONFORMITY

PARTS DIAGRAM & LIST

WARRANTY

NOTES

ASSEMBLY IS REQUIRED – TWO PERSON

This product requires assembly before use. See the “Assembly” section for instructions.

Please check that all parts required for the assembly of this spreader are included. If for any reason you believe a part for the assembly is missing or damaged, please contact us.

If you require any assistance with regards to the contents or operation of your machine, please contact us:

TEL: 01793 333212

**EMAIL: customerservice@handydistribution.co.uk
(MON – FRI 8.00AM TO 5.30PM EXCL. BANK HOLIDAYS)**

SPECIAL WARNINGS & INSTRUCTIONS

- The splitting operation of the machine is designed to be activated by one person. While there is the possibility that additional operators could be working with the machine (e.g. for loading and unloading), only one operator should activate splitting operations;
- The machine shall not be used by children;
- Description of functional tests of the machine;
- The installation and maintenance requirements including a list of those devices e.g. two-hand control device which should be verified, how frequently the verification shall be carried out and by what method;
- Do not remove jammed logs with your hands. Never use another person to help you with freeing jammed logs. Push the wedge until the log is split open.

SPECIFICATIONS

The manufacturer reserves the right to change the product specification and livery according to continued product improvements.

Model Number	THLSV7
Product Number	1938182001
Motor*	(230V ~50Hz 13A) 3000W, S6 40%,
Splitting Force	7 Ton
Forward Speed	3.6 cm/s
Retract Speed	16.5 cm/s
Hydraulic Pressure	25.2 Mpa
Hydraulic Oil Tank Capacity	3.5L
Hydraulic Oil	Type 22
Stroke Length (mm)	495
Log Capacity Diameter (mm)**	Min 80 – 300 Max
Log Capacity Length (mm)	Min 100 – 550 Max
Overall Size (cm)	L 84, W 91.5, H 149.5
Weight (kg)	N.W 98.2 – G.W 103.5
Noise Pressure Level (LpA)	78.8 dbA under no load; 89.8 dbA under full load
Vibration	<2.5 m/s ²

* S6 40%, continuous operation periodic duty: time of one load cycle is 10 minutes, operation time at constant load is 4 minutes, operation time at no-load is 6 minutes.

** The diameter of the log is not the only factor that determines how easy it will be to split. A small log can be difficult to split when it has knots or is a particularly hard wood.

IMPORTANT INFORMATION

HYDRAULIC OIL

This machine is supplied with Hydraulic oil from the factory, to allow the machine to be used straight from the carton following assembly. Do check the oil level (instructions available in the manual) prior to the first use and periodically thereafter. Type 22 hydraulic oil is recommended.

ELECTRICAL REQUIREMENTS

Connect the main leads to a standard 220-240V±10% (50Hz±1Hz) electrical supply which has protection devices of under-voltage, over-voltage, over-current as well as a residual current device (RCD) which has a maximum residual current rated at 0.03A.

EXTENSIONS LEADS

We do not recommend the use of extension leads with this product. The use of an extension lead can seriously reduce the machines splitting capabilities.

WORKING CONDITIONS


















This log splitter is a domestic use model. It is designed for operating under ambient temperatures between +5°C and 40°C and for installation at altitudes no more than 1000m above M.S.L. The surrounding humidity should be less than 50% at 40°C. It can be stored or transported under ambient temperatures between -25°C and 55°C.

INSPECT YOUR LOG

Make sure there are no nails or foreign objects in logs to be split. The ends of the logs must be cut square. Branches must be cut off entirely so that the trunk is relatively smooth.

GENERAL SAFETY INSTRUCTIONS

It is important that you read and understand the owner's manual and labels affixed to the machine. Learn its application and limitations as well as the specific potential hazards. Retain these instructions for future reference. The operator is responsible for following the warnings & instructions in this manual and on the product.

	Read & understand operator's manual before using the machine. Failure to follow instructions could result in death or serious injury.		DANGER Keep clear of all moving parts.
	Wear protective gloves to protect your hands		Do not remove jammed logs with your hands
	Whenever the machine is in use, eye protection must be worn to safeguard against flying objects. Hearing protection must also be used to protect users hearing.		Before making adjustments, changing parts, cleaning, or working on the log splitter, always disconnect the power. Consult the technical manual before servicing.
	Wear protective footwear		Dispose of all oil at an authorised collection point or follow the local authority stipulations that apply. Dispose of used oil in an environmentally friendly way.
	Check your log splitter before turning it on. Keep guards in place and in working order. Replace damaged, missing or failed parts before using it.		Keep all bystanders & animals at least 10 metres away from the machine during operation. If approached, stop the machine immediately.
	Do not use in the rain.		WARNING Stay clear of moving parts.
	Keep your work space tidy! Untidiness may result in accidents.		Safety alert symbol. Used to alert you to potential personal injury hazards. Obey all safety messages that follow this symbol to avoid possible injury.
 DANGER	Indicates an imminently hazardous situation which, if not avoided, will result in serious injury.	 WARNING	Indicates a potentially hazardous situation which, if not avoided, could result in serious injury
 CAUTION	Indicates a potentially hazardous situation which, if not avoided, may result in minor or moderate injury.	CAUTION	Used without the safety alert symbol indicates a potentially hazardous situation which, if not avoided, may result in property damage.

STAY ALERT

Do not operate the machine while under the influence of drugs, alcohol, or any medication that could affect your ability to use it properly. Do not use this machine when you are tired or distracted from the job at hand. Be aware of what you are doing at all times. Use common sense.

AVOID DANGEROUS CONDITIONS

Always operate your logsplitter on dry, solid, level ground. Never operate your logsplitter on slippery, wet, muddy, or icy surfaces. The location you choose should be free from any tall grass, brush, or other interferences. There should be plenty of room for handling, and help the operator stay alert. Keep your work area clean and well light. Cluttered areas invite injuries. To avoid tripping, do not leave tools, logs, or other components laying around the work area. Do not use the logsplitter in wet or damp areas or expose it to rain. Do not use it in areas where fumes from paint, solvents or flammable liquids pose a potential hazard.

INSPECT YOUR MACHINE

Check your logsplitter before turning it on. Keep guards in place and in working order. Form a habit of checking tools are removed from the working area before turning it on. Replace damaged, missing or failed parts before operating the machine.

DRESS PROPERLY

Do not wear loose clothing, gloves, neckties or jewellery (rings, wrist watches). They can be caught in moving parts. Protective electrically non-conductive gloves and non-skid footwear are recommended when working. Wear protective hair covering to contain long hair, preventing it from get caught in machinery.

PROTECT EYES & FACE

Any logsplitter may throw foreign objects into the eyes. This can cause permanent eye damage. Always wear safety goggles. Everyday eye-glasses have only impact resistant lenses. They are not safety glasses.

AVOID ELECTRICAL SHOCK

Check that the electric circuit is adequately protected and that it corresponds with the power, voltage and frequency of the motor. Check that there is a ground connection and a regulation differential switch upstream. Ground the logsplitter. Prevent body contact with grounded surfaces: pipes, radiators, ranges, and refrigerator enclosures.

Never open the pushbutton box on the motor. Should this be necessary, contact a qualified electrician. Make sure your fingers do not touch the plug's metal prongs when plugging or unplugging the logsplitter.

After installation, the degree of protection of the BSI and the SEV approved plug and socket combination shall be IP44D at least. Avoid excessive bending and twisting of the connection between the power cord of the British plug and the junction box.

KEEP BYSTANDERS AND CHILDREN AWAY

The logsplitter must be always operated by one person only. Other people should keep a safe distance from the work area (10 metres recommended), especially when the logsplitter is under operation. Never use another person to help you with freeing a jammed log.

INSPECT YOUR LOG

Make sure there are no nails or foreign objects in logs to be split. The ends of the logs must be cut square. Branches must be cut flush with the trunk.

DO NOT OVERREACH

Operating floor must not be slippery. Always keep proper footing and balance. Never stand on the logsplitter. Serious injury could occur if the tool is tipped or if the cutting tool is unintentionally contacted. Do not store anything above or near the logsplitter where anyone might stand on the tool to reach them.

AVOID INJURY FROM UNEXPECTED ACCIDENT

Always pay full attention to the movement of the log-pusher. Do not attempt to load the log on until the log-pusher has stopped. Keep hands out of the way of all moving parts.

PROTECT YOUR HANDS

Keep your hands away from splits and cracks which open in the log; They may close suddenly and crush or amputate your hands. Do not remove jammed logs with your hands.

DO NOT FORCE TOOL

It will do a better and safer job at its design rate. Never try to split logs larger than those indicated in the specifications table. This could be dangerous and may damage the machine. Don't use the logsplitter for a purpose for which it was not intended.

NEVER LEAVE MACHINE RUNNING UNATTENDED

Do not leave the machine unattended, until it has come to a complete stop and the power removed from the electrical source.

DISCONNECT POWER

Unplug when not in use, before adjusting, changing parts, cleaning, or working on the logsplitter. All servicing and repairs are recommended to be undertaken by an approved service dealer.

MAINTAIN YOUR MACHINE WITH CARE

Clean the machine immediately after use. Keep the machine clean to ensure it operates to its full & safest performance. When maintaining this machine, only the manufacturer's original replacement parts should be used. The use of non-original manufacturer parts may invalidate your warranty.

PROTECT THE ENVIRONMENT

Take used oil to an authorised collection point or follow the stipulations in the country where the logsplitter is used. Do not discharge into drains, soil or water.

STORE IDLE EQUIPMENT

When not in use, the machine should be stored in a dry location. Keep the machine away from children and others not qualified to use it.

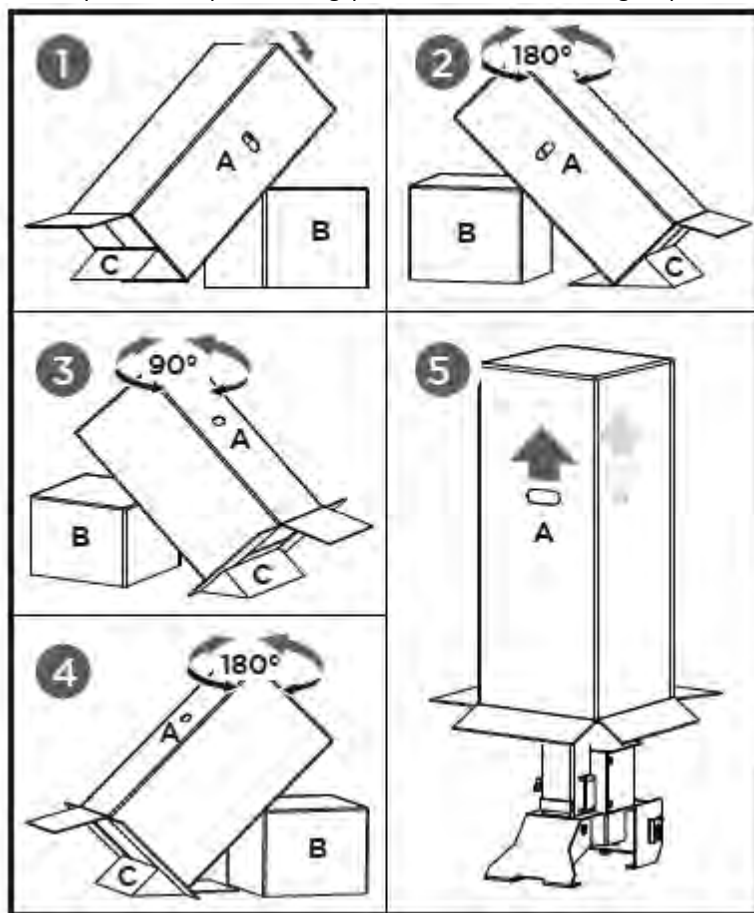


This symbol on the product or on its packaging indicates that this product may not be treated as household waste. Instead it shall be handed over to the applicable collection point for the recycling of electrical and electronic equipment.

For more detailed information about recycling of this product, please contact your local council office, your household waste disposal service or shop where you purchased the product.

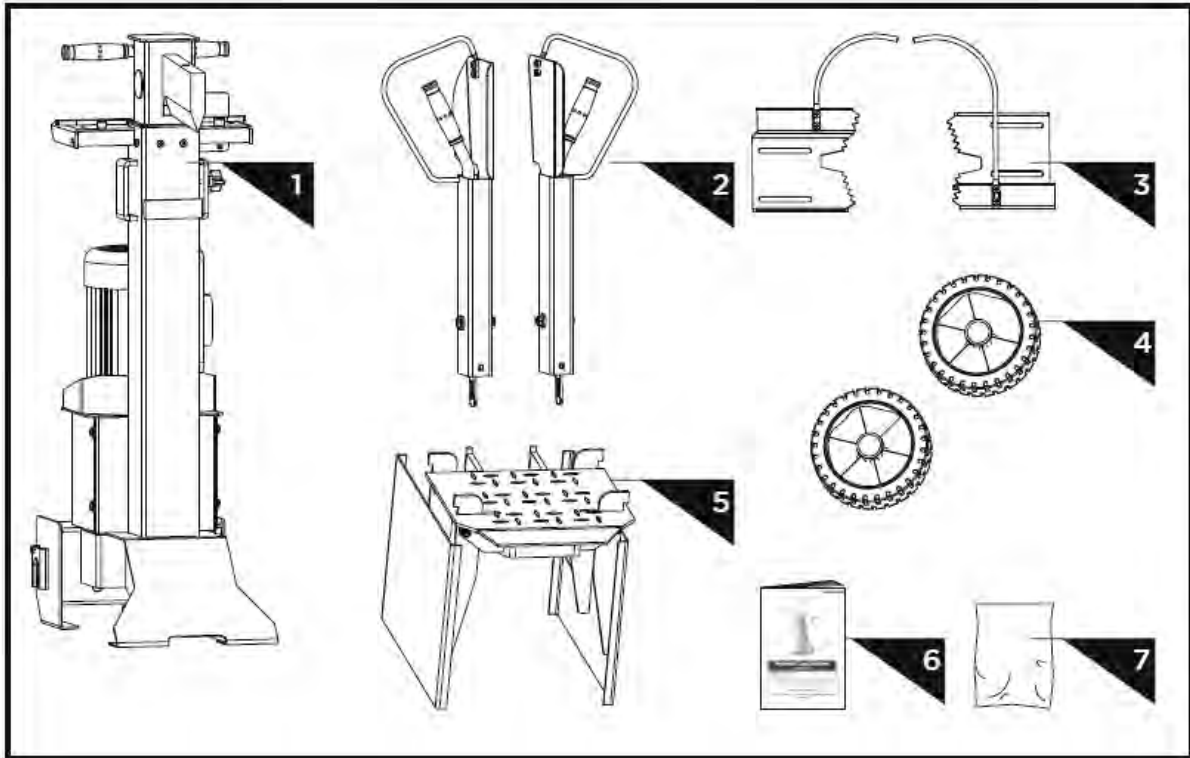
UNPACKING

At least 2 people will be required to unpack the logsplitter. Take the following steps:

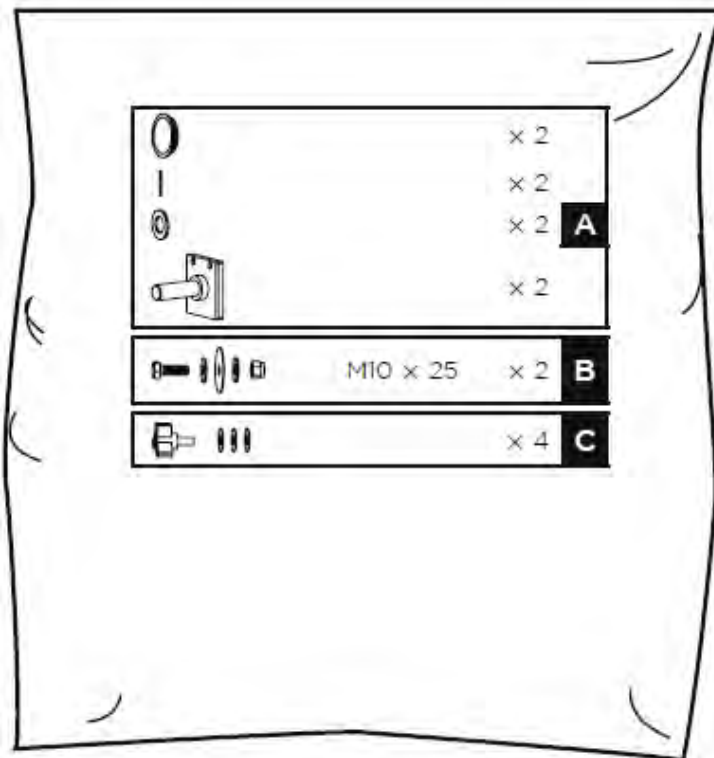


SET UP & PREPARATION FOR OPERATION

Familiarise yourself with the assembly components of this log splitter in the illustrations. If you believe you are missing any components, please contact us:



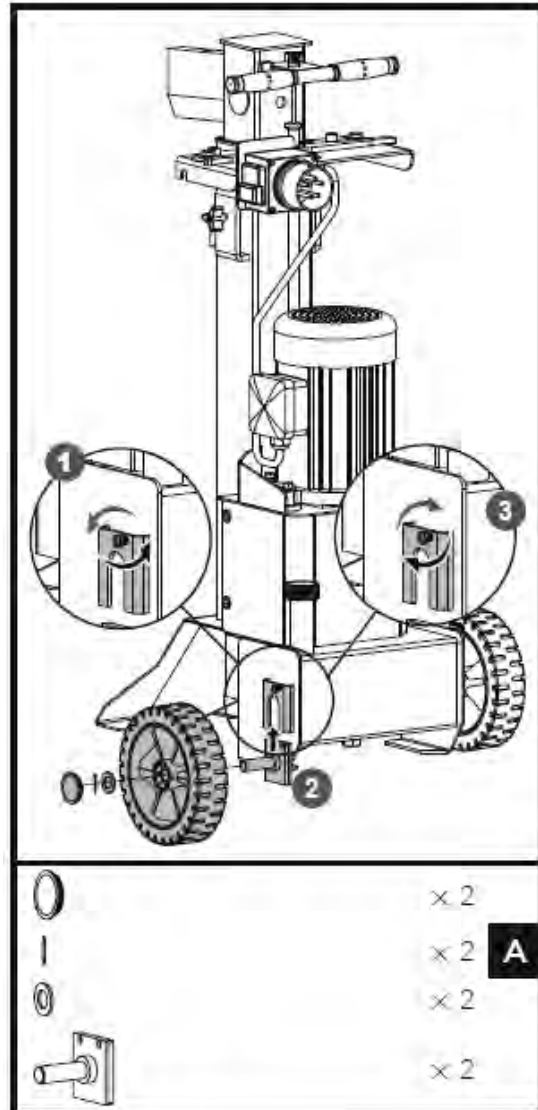
- | | |
|--|--------------------------------------|
| 1. Log Splitter Frame | 5. Support Table |
| 2. Control Lever & Guard Assembly (1 pair) | 6. Operator's Manual |
| 3. Adjustable Log Holder (1 pair) | 7. Hardware Bag (see contents below) |
| 4. Wheels (1 pair) | |



ASSEMBLY

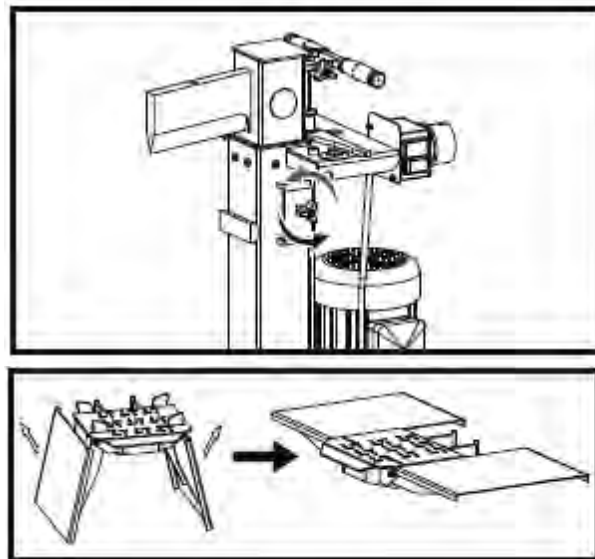
WHEELS

1. Loosen the bolt on the wheel shaft mount bracket on the base by turning it counter-clockwise, until the wheel shaft can be inserted into the mount bracket.
2. Insert the wheel shaft into the mount bracket.
3. Thread the bolt on the bracket into the hole on the wheel shaft, then secure them together by tightening the bolt.
4. Slide the wheel on the shaft. Hold the wheel in place with a flat washer and a cotter pin from outside. Bend and spread the cotter pin prongs in opposite directions.
5. Put on the wheel cap.
6. Repeat the same steps to install the wheel on the other side.

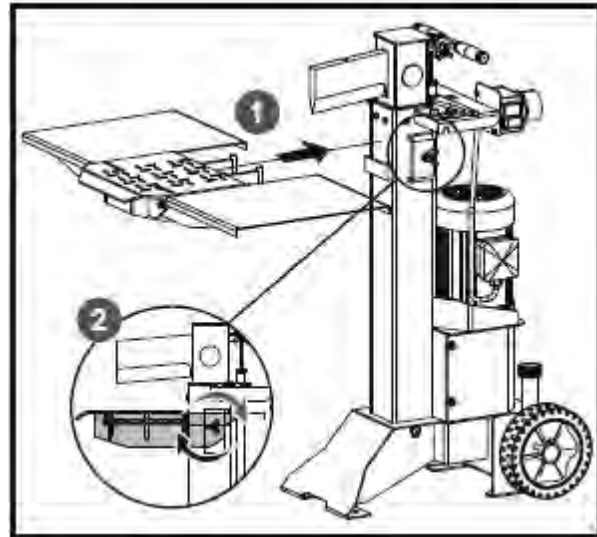


SUPPORT TABLE

1. Before assembly, loosen the star knob by turning it counterclockwise
2. Unfold the log support table, make the three parts of it at the same surface level.

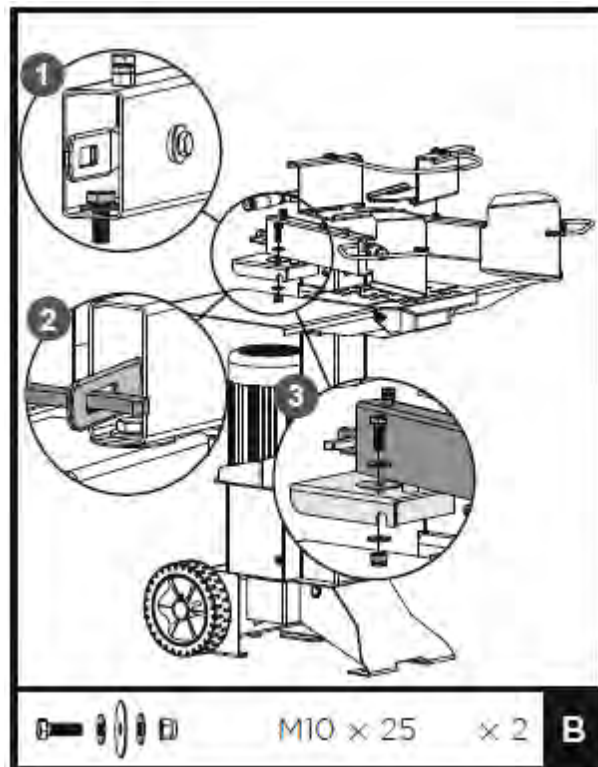


3. Insert the hooks of the log support table into the mount brackets.
4. Tighten the star knob.



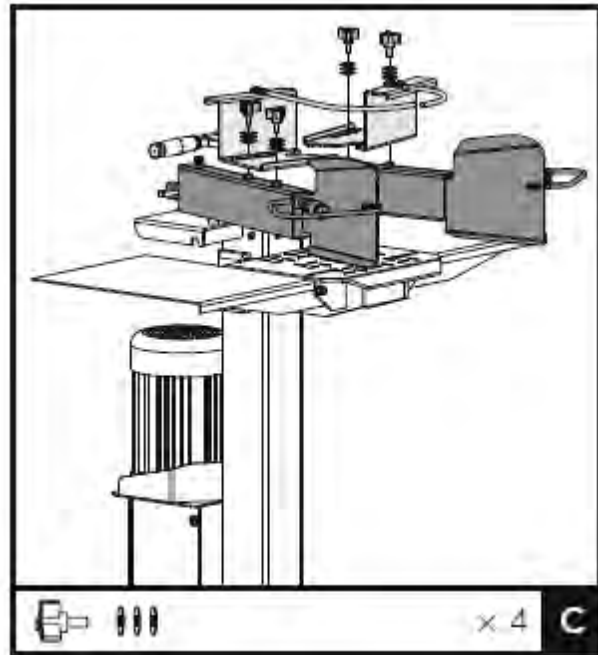
CONTROL LEVER

1. Insert a M10x25 bolt with a flat washer into the hole on the armguard.
2. Make sure the lever end goes into the square slot at the end of the armguard. Otherwise, the armguard cannot be flexibly rotated.
3. Put a big flat washer on support bracket of the armguard, align the holes. Thread the bolt which is previously inserted on the armguard in the first step through the big flat washer and the bracket. Then put a flat washer and a nut on the bolt from the other side. Secure tightly with wrenches.
4. Follow the same steps to install the armguard on the other side.



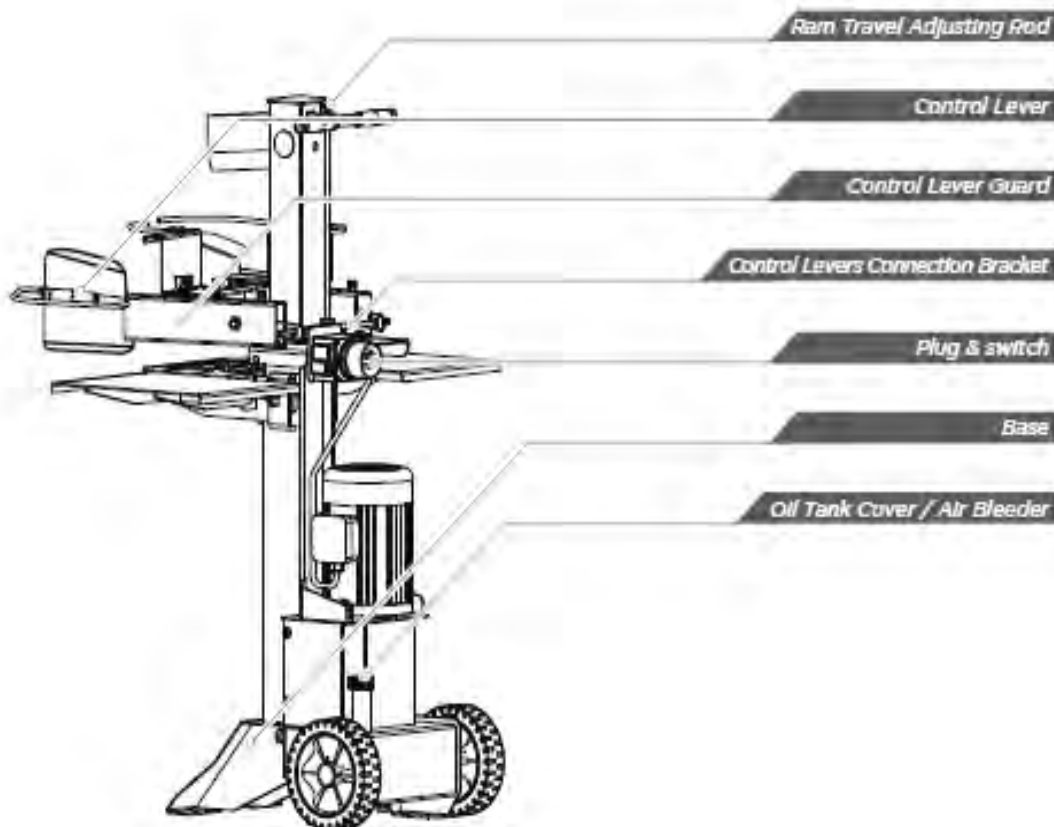
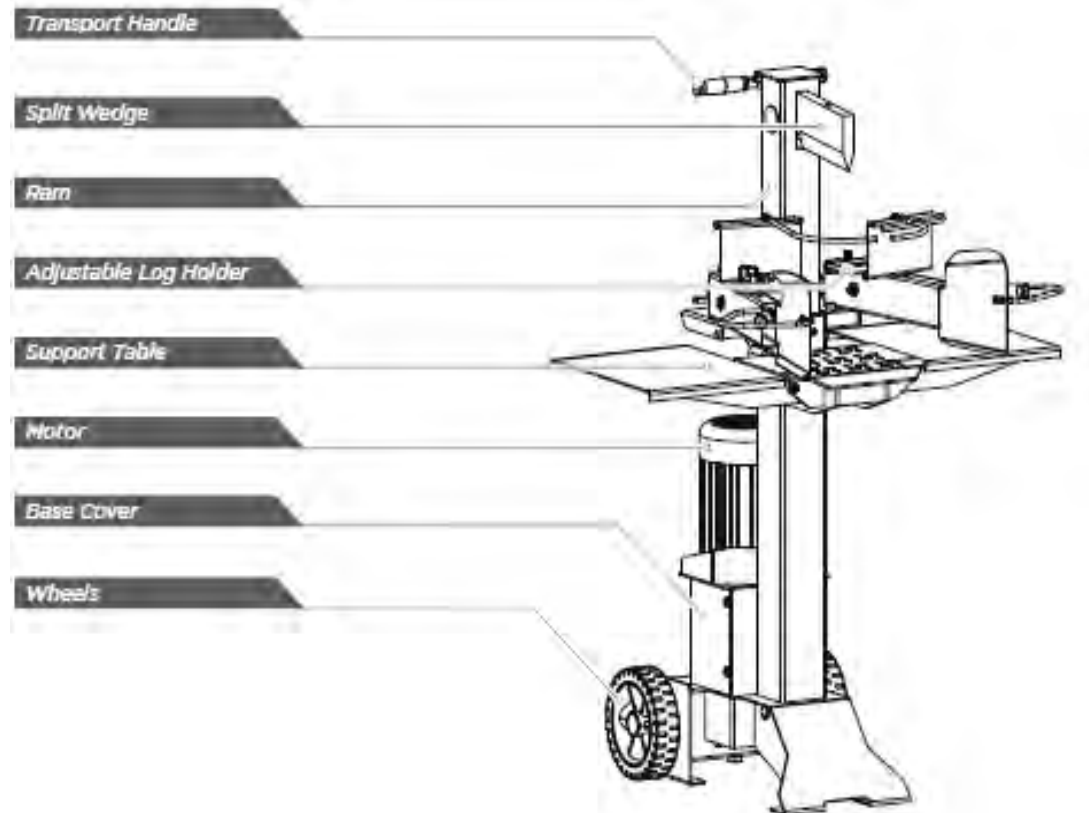
ADJUSTABLE LOG HOLDER

1. Secure the log clamps on the armguards with star knobs and flat washers. Each star knob has three flat washers.



KNOW YOUR MACHINE

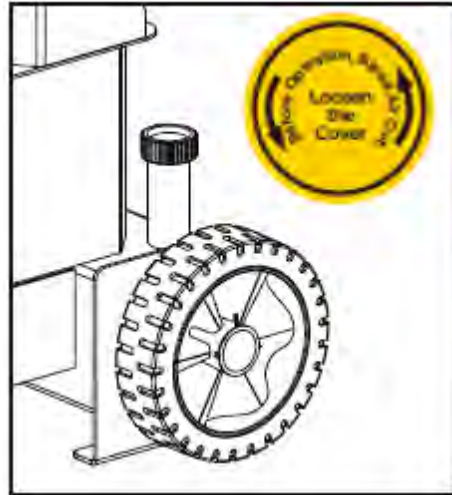
Make yourself aware of the components and operational levers of the machine, prior to attempting any work.



BLEED SCREW

IMPORTANT

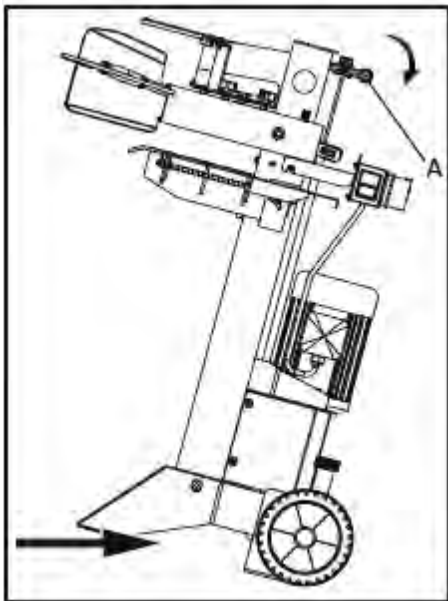
Before operating the logsplitter, the Oil Filler/Air Bleed should be loosened a few rotations until air can go in and out of the oil tank smoothly. Air flow through the Oil Filler/Air Bleed hole should be noticeable while the logsplitter is working. Before moving the log splitter, ensure the Oil Filler/Air Bleed is tightened to avoid oil leaks.



FAILURE TO LOOSEN THE OIL FILLER/AIR BLEED WILL KEEP SEALED AIR IN THE HYDRAULIC SYSTEM COMPRESSED. SUCH CONTINUOUS AIR COMPRESSION WILL BLOW OUT THE SEALS OF THE HYDRAULIC SYSTEM AND CAN CAUSE PERMANENT DAMAGE TO THE LOGSPLITTER, WHICH IS NOT COVERED UNDER THE TERMS & CONDITIONS OF THE MANUFACTURERS WARRANTY.

TRANSPORTING YOUR LOGSPLITTER

The logsplitter is equipped with 2 wheels for minor moving. To move the log splitter to the work site. Grip the handle to tilt the log splitter slightly after making sure the oil tank cover is tightened.



DO NOT TRANSPORT THE LOGSPLITTER WITH WOOD LOADED

OPERATION

APPLICATION CONDITIONS

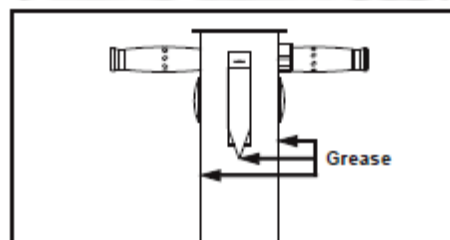
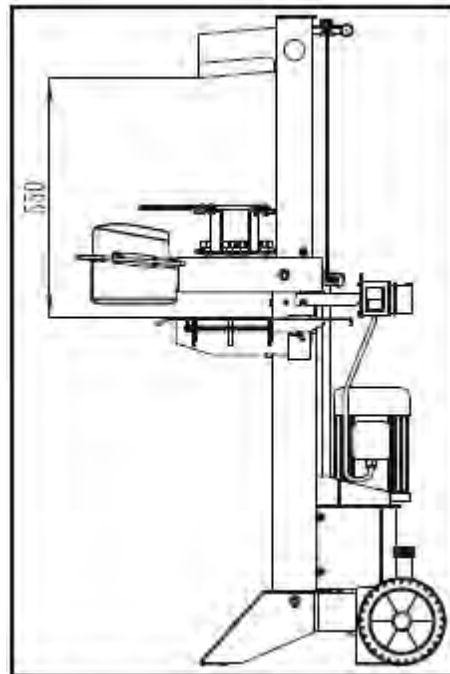
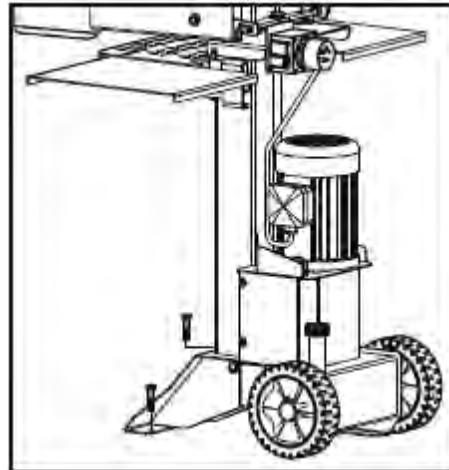
Before operation, we recommend the machine is fixed to the machine using Bolts M10x30 (not supplied) on level ground.

1. Plan your work site. Work safely and save effort by planning your work beforehand. Have your logs positioned where they can be easily reached. Have a site located to stack the split wood or load it onto a nearby truck or another carrier.
2. Prepare the logs for splitting. This splitter accommodates logs up to 105cm in length. When cutting up limbs and large sections, do not cut sections any longer than 105cm.

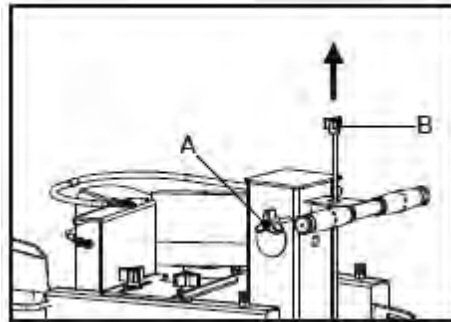


Do not attempt to split green logs. Dry, seasoned logs split much more easily, and will not jam as frequently as green wood.

- To apply a thin coat of grease to the surfaces of the ram before operation will lengthen the durability of the ram.
- Route the power cord. Route the cord from the power source to the splitter in a way that safeguards against tripping on the cord, or the cord becoming damaged during the work session. Protect the power cord from impacts, pulling or corrosive materials.
- Open the Oil Filler/Air Bleed. Loosen the oil tank cover a few turns whenever the splitter being used. Retighten this cover when you finished.
- While operating under extremely low temperature, keep the log splitter running under no load for 15 minutes to preheat the hydraulic oil.
- Before initial operation, check to be sure the two-handed operation is properly functioning by following steps:
 - ❖ Lower both control levers, splitting wedge lowers to approx. 5cm above the take above the highest table position.
 - ❖ Release either of the levers, splitting wedge should remain in the original position.
 - ❖ Release both levers, the ram should rise to the highest position automatically.

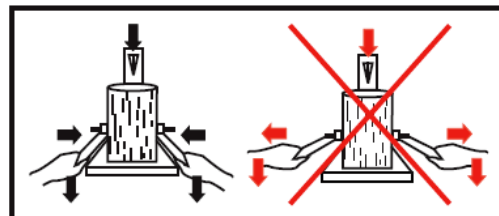
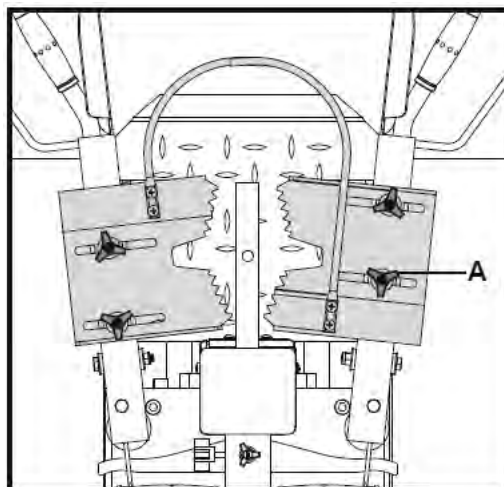


- To set wedge ram stroke, take the following steps:
 - ❖ Move splitting wedge to desired position. The upper position of the ram wedge travel should be about 3-5cm over the logs to be split.
 - ❖ Release a control lever or switch off motor.
 - ❖ Release the Setscrew (A) with L key. Raise Adjusting Rod (B) until Adjusting Rod (B) is started to be stopped by the spring inside. Tighten the Setscrew (A).
 - ❖ Release both control levers or switch on motor.
 - ❖ Check upper position of splitting wedge.
- Place log onto splitter. Place the log onto the support table vertically and sitting flat on the support table. Be sure the wedge and support table will contact the log squarely on the ends. Never attempt to split a log at an angle.



Break log in the direction of its growing grain. Do not place log across the log splitter for splitting. It may be dangerous and may seriously damage the machine.

- Adjust the Log Holders (A) according to the diameter of the log to obtain most comfortable Control Levers angle.
- Hold the log with clamping brackets closely in the control lever guards. Lower both levers to start splitting action. Releasing either lever stops the motion of the splitting wedge. Releasing both handles, returns the splitting wedge to the upper position.
- Stack as you work. This will provide a safer work area, by keeping it uncluttered, and avoid the danger of tripping, or damaging the power cord.



Accumulated split wood and wood chips can create a hazardous work environment. Never continue to work in a cluttered work area which may cause you to slip, trip or fall.



Never force the log splitter for more than 5 seconds. Do not keep pressure on it to split excessively hard wood.

After 5 seconds of constant use, the oil under pressure will be overheated and the machine could be damaged. For such extremely hard logs, rotate it by 90° to see whether it can be split in a different direction (the log should still be split with the grain as shown in the diagrams in this manual). In any case, if you are not able to split the log, this means that its hardness exceeds the capacity of the machine and thus that log should be discarded to protect the log splitter.

SHARPENING THE SPLITTING WEDGE

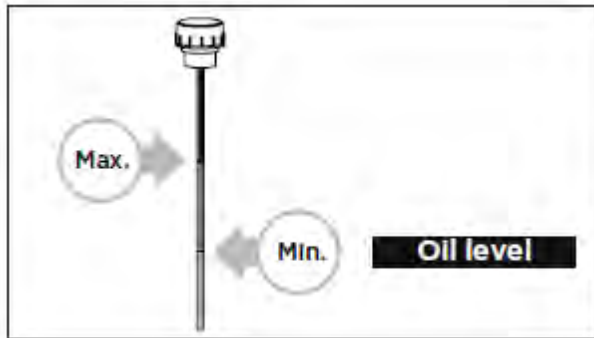
This log splitter is equipped with a reinforced splitting wedge which is specially treated. After long periods of operation, and when required; sharpen the wedge using a fine-toothed file removing any burrs or flat spots on the edge.

CHECKING & REPLACING HYDRAULIC OIL

CHECKING HYDRAULIC OIL LEVEL

Periodically check the oil level to ensure it is between the 2 grooves around the Oil Filler/Air Bleed. To check the oil.

- Ensure the machine is upright, not operating or plugged into the electrical source.
- Unscrew the Oil Filler/air Bleed & remove it.



- If the oil level is lower than the minimum (min) bottom mark on the dipstick refill with Type 22 Hydraulic oil and check the level again, until the oil level reaches the maximum (max) mark on the dipstick.

The following hydraulic oils or equivalent Type 22 are recommended for the log splitter's hydraulic transmission system:

- **HANDY PARTS Logsplitter Oil WPL110 (1L), WPL113 (5L)**
- **SHELL Tellus 22**
- **MOBIL DTE 11**
- **ARAL Vitam GF 22**
- **BP Energol HLP-HM 22**

- Clean the dipstick and put it back into the oil tank. Make sure it is tightened to avoid leaks during transit.
- Never exceed the maximum level. Empty oil if the maximum level is exceeded until the oil level is between the minimum & maximum marks on the dipstick.
- The machine will operate as designed with oil in between the minimum & maximum marks.



Read dipstick to determine the maximum and minimum of the oil level. Low oil can damage the oil pump. Overfilling can result in excessive temperature in the hydraulic transmission system.

REPLACING HYDRAULIC OIL

The hydraulic system is a closed system with oil tank, oil pump and control valve. Check oil level regularly with dipstick. Low oil levels can damage the oil pump. Oil Level should measure approx. 1 ~ 2 cm lower than the upper surface of the oil tank.

The oil should be completely changed once a year.

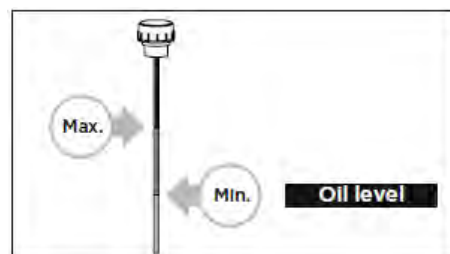
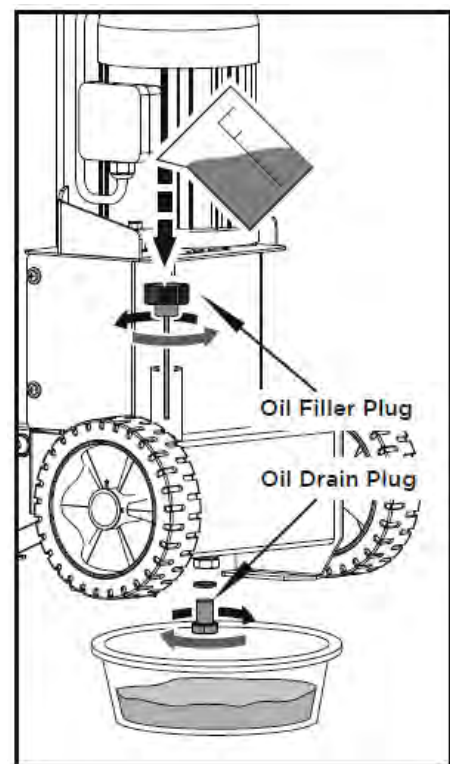
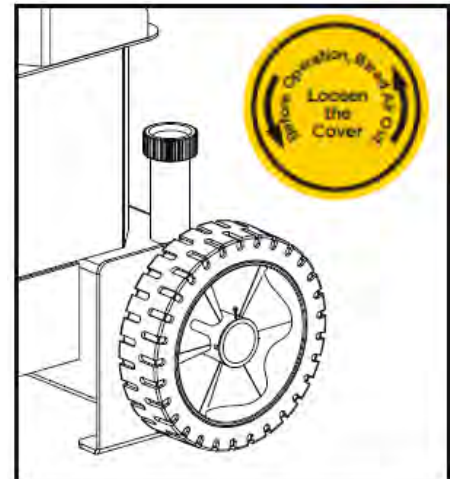
- Make sure moving parts stops and the log splitter is unplugged from the power source.
- Make sure that no dirt or debris finds its way into the oil tank
- Use a drain pan to aid in the removal of all used oil and particles.
- Remove oil drain plug to drain oil from the hydraulic transmission system. Examine oil for metal chips as a precaution to future problems.
- Following an oil change, activate the log splitter a few times without actually splitting with the Oil Filler/Air Bleed removed, to disperse any trapped air in the hydraulic system.

The following hydraulic oils or equivalent Type 22 are recommended for the log splitter's hydraulic transmission system:

- HANDY PARTS Logsplitter Oil WPL110 (1L), WPL113 (5L)
 - SHELL Tellus 22
 - MOBIL DTE 11
 - ARAL Vitam GF 22
 - BP Energol HLP-HM 22
- Clean the Dipstick and put it back into the oil tank.
 - Never exceed the maximum level. Empty oil if the maximum level is exceeded until the oil level is between the minimum & maximum marks on the dipstick.
 - The machine will operate as designed with oil in between the minimum & maximum marks.
 - Clean the dipstick before replacing it. Make sure it is tightened to avoid leaks during transit.



Read dipstick to determine SHARPENING WEDGE the maximum and minimum of the oil level. Low oil can damage the oil pump. Overfilling can result in excessive temperature in the hydraulic transmission system.



TROUBLE SHOOTING

PROBLEM	PROBABLE CAUSE	REMEDY SUGGESTED
Fails to split logs	Log is improperly positioned	Refer to "Operation" section for perfect log loading.
	The sizes or hardness of the log exceeds the capacity of the machine	Reduce the log sizes before splitting it on the log splitter.
	Wedge cutting edge is blunt	Refer to "Sharpening Wedge" section to sharpen the cutting edge.
	Oil leaks	Locate leak(s) and contact the dealer.
The log pusher moves jerkily, taking Unfamiliar noise or vibrating a lot	Lack of hydraulic oil and excessive air in the hydraulic system.	Check oil level for possible oil refilling. Contact an approved service dealer.
	Excessive air in the hydraulic system.	Remove the Oil Filler/Air Bleed. Operate the ram 5 or 6 times without a log in place. Return the Oil Filler/Air Bleed and leave in the open position and split the log. If the problem continues contact the local approved service dealer.
Oil leaks around cylinder ram or from other points	Air sealed in hydraulic system while operating	Loosen Bleed Screw by 3 ~ 4 rotations before operating the log splitter.
	Oil Filler/Air Bleed is not tightened before moving the log splitter.	Tighten the oil filler up before moving the log splitter.
	Hydraulic Control Valve Assembly and / or seal(s) worn	Contact an approved service dealer.
Motor running, ram not moving	Extension lead being used	Be sure the extension lead is no longer than 10m and its cross-section is no less than 2.5mm ² to allow enough current flow to the motor.

MAINTENANCE & STORAGE

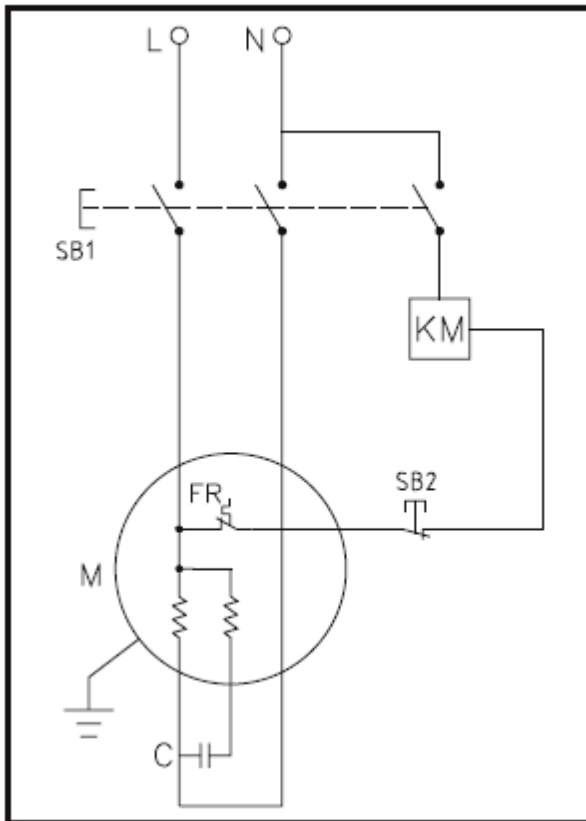
Always ensure the Bleed Screw is fully tightened when the machine is not in use.

When not in use, the machine should be stored in a dry location. Keep the machine away from children and others not qualified to use it. Avoid direct sunlight.

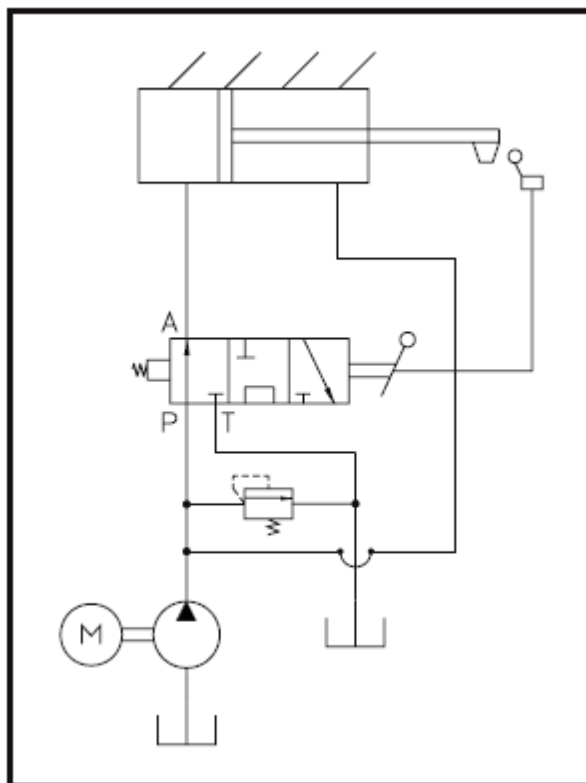
Do not store anything above or near the machine, where anyone might stand on the machine to reach them.

WIRING & HYDRAULIC SYSTEM DIAGRAMS

WIRING DIAGRAM



HYDRAULIC DIAGRAM





EC DECLARATION OF CONFORMITY

We Handy Distribution Ltd - SN3 5HY (Importer) declare that the product:

Designation: Vertical Electric 7 Ton Log Splitter

Model(s): THLSV7

Product Number: 1938182001

Type/Serial No: As per rating label on machine

Motor Wattage: 3000

Complies with the following directives:

2006/42/EC – Machinery Directive

2014/30/EU – Electromagnetic Capability

The conformity assessment procedure followed was in accordance with

EN 609-1:2017, EN 60204-1:2006+A1 :2009+AC:2010

Notified Bodies:

TÜV Rheinland LGS Products GmbH

Address(es):

Tillystrabe 2 – 90431 Nürnberg

Authorised signatory & technical file holder

Date:

01/09/2018

Signature:

Name:

Mr. Simon Belcher

Position:

Chairman

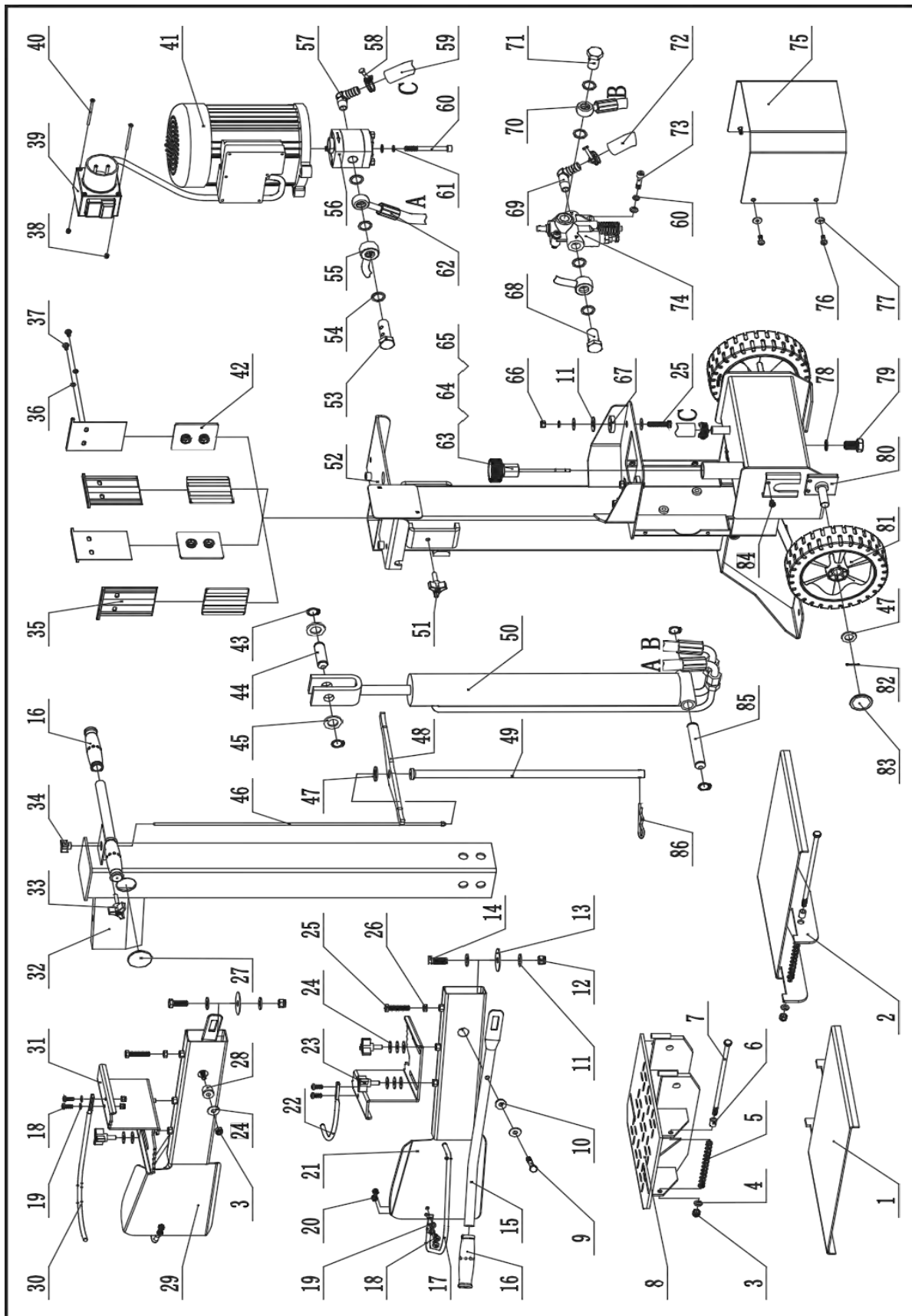
Company:

Handy Distribution Ltd

Address:

Murdock Rd, Dorcan, Swindon, Wiltshire, SN3 5HY.

PARTS DIAGRAM – THLSV7 (1938182001)



PARTS LIST – THLSV7 (1938182001) – Pt 1

Item No	Handy Part No.	Description	Qty
1	TH245-1	Side Log Support 2	1
2	TH245-2	Side Log Support 1	1
3	TH245-3	Locknut M8	4
4	TH245-4	Washer 8	8
5	TH245-5	Spring	2
6	TH245-6	Bush	2
7	TH245-7	Bolt 8.8 M8x210	2
8	TH245-8	Log Support G5	1
9	TH245-9	Bolt 8.8 M8x60	2
10	TH245-10	Bush 2	2
11	TH245-11	Big Washer 8	7
12	TH199-6	Locknut M10	2
13	TH199-10	Washer L	2
14	TH245-12	Bolt 8.8 M10x25	2
15	TH245-13	Handle C1	2
16	TH245-14	Handgrip	4
17	TH245-15	Guard Ring C1	2
18	TH245-16	Screw M6x16	8
19	TH245-17	Washer 6	6
20	TH245-18	Locknut M6	8
21	TH245-19	Right Armguard G5	1
22	TH245-20	Retainer 1	1
23	TH245-21	Star Knob	4
24	TH245-22	Big Washer 8	11
25	TH245-23	Bolt 8.8 M8x45	5
26	TH245-24	Nut M8	2
27	TH199-20	Cap	2
28	TH245-25	Bush 1	2
29	TH245-26	Left Armguard G5	1
30	TH245-27	Retainer 2	1
31	TH245-28	Clamp	2
32	TH199-22GM	Wedge Bracket	1
33	TH199-21	Star Knob M6	1
34	TH199-23	Star Nut M5(black)	1
35	TH199-26	Upper Lining Plate G1	4
36	TH199-15	Spring Washer 6	8
37	TH199-27	Screw M6x8	8
38	TH199-28	Locknut M4	2
39	TH245-29	Switch	1
40	TH199-29	Screw M4x60	2
41	TH245-30	Motor	1
42	TH199-25	Lower Lining Plate G	1
43	TH245-31	Circlip 20	4
44	TH199-51	Short Shaft G	1

PARTS LIST – THLSV7 (1938182001) – Pt 2

Item No	Handy Part No.	Description	Qty
45	TH199-50	Washer 20	2
46	TH199-52	Pull Rod G5	1
47	TH199-43	Washer 16	4
48	TH245-32	Lever C1	1
49	TH199-48	Tube KG	1
50	TH199-55	Cylinder G5	1
51	TH199-53	Star Knob (black)	1
52	TH245-33	Main Frame G5	1
53	TH199-69	Oil Plug G5	1
54	TH245-34	Washer Groupware 20	7
55	TH245-35	Oil Hose C1	1
56	TH245-36	Gear Pump G5	1
57	TH199-33	Nozzle H	1
58	TH199-31	Hose Clamp 20-26	4
59	TH199-32	Oil Hose 16	1
60	TH245-37	Screw M8x90	2
61	TH245-38	Spring Washer 8	7
62	TH199-70	Oil Hose G5	1
63	TH245-39	Oil Cap K	1
64		Oil Dipstick K6	1
65		O-Ring 25x2.65	1
66	TH199-65	Nut M8	3
67	TH199-67	Motor Support	3
68	TH199-74	Oil Plug A2	1
69	TH199-72	Nozzle A4	1
70	TH199-35	Oil Hose G5	1
71	TH199-34	Oil Plug G1	1
72	TH199-36	Oil Hose 16	1
73	TH199-77	Screw M8x35	2
74	TH199-71	Valve	1
75	TH199-37GM	Shield G5	1
76	TH199-16	Screw M6x12	4
77	TH199-14	Big Washer 6	4
78	TH199-38	Washer Groupware 16	1
79	TH199-39	Bolt M16x25	1
80	TH199-40	Wheel Axle G5	2
81	TH199-42	Wheel	2
82	TH199-44	Cotter Pin 2x20	2
83	TH199-45	Wheel Cap	2
84	TH199-41	Bolt 8.8 M6x8	1
85	TH199-46	Long Shaft G	1
86	TH199-56	Clip 4	1

GJ HANDY & CO LTD USER WARRANTY POLICY

Users Statement of Warranty

Each new machine is warranted against defective material or assembly of material under normal usage. The warranty applies to the original purchaser and covers faulty parts and the labour involved in replacing and repairing those parts, which are of original manufacture.

Period of Warranty

Webb (excludes Electric Handheld & Dynamic), Webb Pro, Sanli Engine

- a) 2 years from the original date of sale to the first domestic user.
- b) 90 days from the original date of sale to the professional/commercial user.
- c) 90 days from the original date of sale when used for hire.
- d) A reduced warranty period of 90 days applies to those items which are subject to normal wear and tear (e.g. but not limited to wheels, tyres, cutter bars, cylinders, cutting blades, blade boss, belts, cables, nylon line & spool, collection bags, spark plugs).
- e) Engines are supplied with a separate warranty to the machine. The engine manufacturers warranty statement which will be supplied within the engine instruction manual. All enquiries and warranty repairs should be discussed with the engine manufacturer or approved warranty repair dealer.
- f) 90 days from the original date of purchase for Replacement Spare Parts (unless normal wear & tear component, which are covered for 30 days).
- g) All machines' must be serviced within the first 12 months from the original date of purchase to comply with the warranty, failure to do so will invalidate the 2nd year of the warranty.

All warranty repairs must be undertaken by an authorised service dealer. These dealers have been accredited by GJ Handy & Co Ltd and agree to only use genuine parts and follow our repair procedures.

Webb Electric Handheld, Webb Dynamic, Handy, Mowerland, Q-Garden

- a) 1 year from the original date of sale to the first domestic user.
- b) 90 days from the original date of sale to the professional/commercial user.
- c) 90 days from the original date of sale when used for hire.
- d) A reduced warranty period of 90 days applies to those items which are subject to normal wear and tear (e.g. but not limited to wheels, tyres, cutter bars, cylinders, cutting blades, blade boss, belts, cables, nylon line & spool, collection bags, spark plugs).
- e) Engines are supplied with a separate warranty to the machine. The engine manufacturers warranty statement which will be supplied within the engine instruction manual. All enquiries and warranty repairs should be discussed with the engine manufacturer or approved warranty repair dealer.
- f) 90 days from the original date of purchase for Replacement Spare Parts (unless normal wear & tear component, which are covered for 30 days).

All warranty repairs must be undertaken by an authorised service dealer. These dealers have been accredited by GJ Handy & Co Ltd and agree to only use genuine parts and follow our repair procedures.

Version 06 (01-18)

GJ HANDY & CO LTD USER WARRANTY POLICY

Not covered by this warranty

- a) The warranty policy does not cover any depreciation or damages caused by ordinary wear, rusting or corrosion, lack of correct maintenance or operation, misuse, abuse, lack of transportation or accident.
- b) The warranty policy does not cover any costs necessary for the standard periodic maintenance services instructed by the operator's manual, or service parts replacement which would include oil, filters, tyres, belts, brake linings, fuses, blades, seals and other service parts unless it can be proven that the item has evidence of faulty manufacture.
- c) The warranty policy will not cover failure or damage caused as a result of parts or accessories being modified without the written approval of GJ Handy & Co Ltd.
- d) The warranty policy will not cover the unit if non-genuine parts have been fitted and as a result damage has occurred to the unit.
- e) The warranty policy is non-transferable and is only applicable to the original purchaser.

Disclaimer

- a) This warranty is only a remedy for defect of products. GJ Handy & Co Ltd will never warranty in terms of the merchantability or the fitness for a particular purpose.
- b) No person is authorised to make any warranties, representations or promises, expressed or implied, on behalf of GJ Handy & Co Ltd, or to modify the terms conditions or limitation of this warranty policy in any way.
- c) Neither GJ Handy & Co Ltd nor any company affiliated with GJ Handy & Co Ltd shall be liable in any event or manner whatsoever for incidental or consequential damages or injuries, including, but not limited to, loss of crops, loss of profit, out of pocket expenses or profits, rental of substitute equipment or other commercial losses.

General

- a) Most warrantable failures show up within the first few weeks of use. These failures are usually straightforward and warranty assessment is relatively easy.
- b) Failures relating to cutter decks and belts need careful investigation, as the cause may not always be straightforward. Look for damage to blades and pulleys especially when the cutter belt or blade boss have snapped or cracked as this could be due to impact damage.
- c) Customers should always refer to the operator/instruction manual when any disputed problem arises, you will find most areas covered within the manual.

Version 06 (01-18)

**For spares or support of your handy product,
please contact us:**

Tel: 01793 333212

(Mon – Fri 8.00am to 5.30pm excl. Bank Holidays)

Email: customerservice@handydistribution.co.uk

To see our range of garden machinery & equipment visit:

www.thehandy.co.uk

Making gardening easier & affordable since 1938

Distributed by Handy Distribution, Murdock Road, Dorcan, Swindon, SN3 5HY