



INSTRUCTION MANUAL

LIGHT CONSTRUCTION

PETROL MINI TRANSPORTER

MODEL NO: THLC09715 -- PRODUCT NO: 193844003

EN - ORIGINAL INSTRUCTIONS

TWO PERSON LIFT - ASSEMBLY REQUIRED

SAVE THESE INSTRUCTIONS

SPARES & SUPPORT: 01793 333212

FOR YOUR SAFETY

Please read & understand this manual, paying attention to the safety instructions, before use.

Incorrect use of the product could put the operator or machine in danger.

Whilst every effort has been made to ensure the accuracy of information contained in this manual, our policy of continuous improvement determines the right to make modifications without prior warning.

Images used are for illustration purposes only

Copyright Notice

Copyright © Handy Distribution

Permission is granted to reproduce this publication for personal & educational use only.

Commercial copying, redistribution, hiring or lending is prohibited.

No part of this publication may be stored in a retrieval system or transmitted in any other form or means without written permission from Handy Distribution.

In all cases this copyright notice must remain intact.

CONTENTS

GENERAL SAFETY INSTRUCTIONS

SPECIFICATION

IMPORTANT INFORMATION

COMPONENTS

ASSEMBLY

KNOW YOUR MACHINE

FUEL SAFETY

OPERATION

MAINTENANCE & SERVICE

STORAGE

TROUBLE SHOOTING

PARTS DIAGRAM

PARTS LIST

WARRANTY

EC DECLARATION OF CONFORMITY

WE RECOMMEND

ASSEMBLY IS REQUIRED

This product requires assembly before use. See the "Assembly" section for instructions.

Please check that all parts required for the assembly of this spreader are included. If for any reason you believe a part for the assembly is missing or damaged, please contact us.

If you require assistance with regards to the contents or operation of the machine, please contact us:

TEL: 01793 333212

EMAIL: customerservice@handydistribution.co.uk

(MON – FRI 8.00AM TO 5.30PM EXCL. BANK HOLIDAYS)



INTRODUCTION

Your new Petrol Mini Transporter will more than satisfy your expectations. It has been manufactured under stringent quality standards to meet superior performance criteria. You will find it easy and safe to operate and with proper care, it will give you many years of dependable service.



Carefully read through this entire instruction manual before using your new unit. Take special care to adhere to the cautions and warnings

The four-speed gearbox, three forward and one reverse, lies at the heart of the unit. It is oversized to manage safely the huge torques generated by the engine. Thanks to its efficient reduction gearing, it is capable of moving around in every situation and bearing any load.

The Engine manufacturer is responsible for all engine-related issues with regards to performance, power rating, specifications, warranty and service. Please refer to the Engine Manufacturer's owner's/operator's manual, packed separately with your unit, for more information.

SPECIFICATION

The manufacturer reserves the right to change the product specification and livery according to continued product improvements.

Model	THLC09715
Product Number	193844003
Engine	Briggs & Stratton Euro V
Engine Displacement	208cc
Rated Power	4.8 kW
Transmission Gears	3x Forward / 1x Rear
Weight	179 kg
Load Capacity (Weight)	300 kg
Tub Length	860 mm
Tub Width	630 mm
Tub Depth	290 mm
Track Width	180 mm
Sound Pressure Level (L_{WA})	104 dB(A) - K= 3 dB(A)
Vibrating Level on Handle grips	Left 11.03 m/s^2 - K= 1.5 m/s^2 Right 11.3 - K= 1.5 m/s^2

The manufacturer reserves the right to change the product specification and livery according to continued product improvements.

IMPORTANT INFORMATION

INTENDED USE

The product is intended for transporting loads up to 300kg. All loads should be evenly distributed over the load carry area (tub). This product has a reduced 90-day warranty for commercial use.

Persons under 16 years of age and persons who are not familiar with the user instructions must not use the machine. Generally acknowledged accident prevention regulations and enclosed safety instructions must be observed. Only perform work described in these instructions for use, any other use is incorrect. The manufacturer will not assume responsibility for damage resulting from such use.

GENERAL SAFETY INSTRUCTIONS

It is important that you read and understand the owner's manual and labels affixed to the machine. Learn its application and limitations as well as the specific potential hazards. Retain these instructions for future reference. The operator is responsible for following the warnings & instructions in this manual and on the product.

WARNING! Failure to comply with these instructions may result in damage to the machine or other property and/or personal injury.



Read & understand instructions before using the machine.



Wear safety gloves. Wear ear & eye protection. Safety footwear, gloves.



Hot surfaces. Contact may cause physical damage.



Do not remove or alter protection and safety devices or guards.



Fire Risk. Fire and its vapors are extremely flammable & explosive. Fire or explosion can cause severe burns or death.



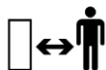
Do not smoke or have open flames when operating. Use extreme caution when storing, handling and using fuels, as they are highly volatile and explosive in a vapour state.



Keep hands and feet away from tracks and rotating parts.



Caution: Thrown objects.



Keep bystanders, children & pets a minimum of 20 metres away from the machine. If they approach, stop the machine immediately.



Acoustic power level L_{WA} accordance with directive 2000/14/EC + 2005/88/EC (Please see machine & specification within this manual for actual reading)



Safety Alert Symbol. Used to alert you to potential personal injury hazards. Obey all safety messages that follow this symbol to avoid possible injury.



DANGER

Indicates an imminently hazardous situation which, if not avoided, will result in serious injury.



WARNING

Indicates a potentially hazardous situation which, if not avoided, could result in serious injury



CAUTION

Indicates a potentially hazardous situation which, if not avoided, may result in minor or moderate injury.

CAUTION

Used without the safety alert symbol indicates a potentially hazardous situation which, if not avoided, may result in property damage.

UNDERSTAND YOUR MACHINE

GENERAL SAFETY RULES

- Read and understand the operator's manual and labels affixed to the machine. Learn its application and limitations as well as the specific potential hazards peculiar to it.
- Be thoroughly familiar with the controls and the correct operation. Know how to stop the machine and disengage the controls quickly.
- **Make sure you read and understand all the instructions and safety precautions as outlined in the Briggs & Stratton Engine Manual, packed separately with your unit. Do not attempt to operate the machine until you fully understand how to properly operate and maintain the Engine and how to avoid accidental injuries and/or property damage.**

WORK AREA

- Never start or run the engine inside a closed area. Exhaust fumes are dangerous, containing carbon monoxide, an odourless and deadly gas. Operate this unit only in a well-ventilated outdoor area.
- Never operate the machine without good visibility or light.

PERSONAL SAFETY

- Do not operate the machine while under the influence of drugs, alcohol, or any medication that could affect your ability to use it properly.
- Dress sensibly. Wear heavy trousers, boots and gloves. Do not wear loose clothing, shorts, jewellery of any kind. Secure long hair so it is above shoulder level. Keep your hair, clothing and gloves away from moving parts. Loose clothes, jewellery or long hair can be caught in moving parts.
- Check your machine before starting it. Keep guards in place and in working order. Make sure all nuts, bolts, etc. are securely tightened.
- Never operate the machine when it needs repair or is in poor mechanical condition. Replace damaged, missing or failed parts before using it.
- Check for fuel leaks. Keep the machine in safe working condition.
- Do not use the machine if the engine's switch does not turn it on or off. Any petrol-powered machine that cannot be controlled with the engine switch is dangerous and it must be repaired or replaced.
- Before every use, check to see that keys and adjusting wrenches are removed from the machine area before starting it. A wrench or a key that is left attached to a rotating part of the machine may result in personal injury.
- Stay alert, watch what you are doing and use common sense when operating the machine.
- Do not overreach. Do not operate the machine while barefoot or when wearing sandals or similar lightweight footwear. Wear protective footwear that will protect your feet and improve your footing on slippery surfaces. Always keep proper footing and balance. This enables better control of the machine in

unexpected situations.

- Avoid accidental starting. Be sure the engine's switch is off before transporting the machine or performing any maintenance or service on the unit. Transporting or performing maintenance or service on a machine with its switch on, invites accidents.

FUEL SAFETY

- Fuel is highly flammable, and its vapours can explode if ignited. Take precautions when using to reduce the chance of serious personal injury.
- Only refill or drain the fuel tank in a clean, well-ventilated outdoor area. Use an approved fuel storage container. Do not smoke, or allow sparks, open flames or other sources of ignition near the area while adding fuel or operating the unit. Never fill the fuel tank indoors.
- Keep grounded conductive objects, such as tools, away from exposed, live electrical parts and connections to avoid sparking or arcing, which could ignite fumes or vapours.
- Always stop the engine and allow it to cool before filling the fuel tank. Never remove the cap of the fuel tank or add fuel while the engine is running or when the engine is hot. Do not operate the machine with known leaks in the fuel system.
- Loosen the fuel tank cap slowly to relieve any pressure in the tank.
- Never overfill the fuel tank (there should be no fuel above the upper limit mark).
- Replace all fuel tank and container caps securely and wipe up spilled fuel. Never operate the unit without the fuel cap securely in place.
- Avoid creating a source of ignition for spilled fuel.
- If fuel is spilled, do not attempt to start the engine but move the machine away from the area of spillage and avoid creating any source of ignition until fuel vapours have dissipated.
- Store fuel in containers specifically designed and approved for this purpose.
- Store fuel in a cool, well-ventilated area, safely away from sparks, open flames or other sources of ignition.
- Never store fuel or a machine with fuel in the tank inside a building where fumes may reach a spark, open flame, or any other source of ignition, such as a water heater, furnace, clothes dryer or similar. Allow the engine to cool before storing in any enclosure.

MACHINE USE AND CARE

- Position the machine in such a way that it can not move during maintenance, cleaning, adjustment, assembly of accessories or spare parts, as well as under storage.
- Do not force the machine. Use the correct machine for your application. The correct machine will do the job better and safer at the rate for which it was designed.
- Do not change the engine governor settings or over-speed the engine. The governor controls the maximum safe operating speed of the engine.
- Do not run the engine at a high speed when you are not working.
- Do not put hands or feet near rotating parts.
- Avoid contact with hot fuel, oil, exhaust fumes and hot surfaces. Do not touch the engine or muffler. These parts get extremely hot during use. They remain hot for a short time after you turn off the unit. Allow the engine to cool before performing maintenance or make adjustments.
- If the machine starts to make an unusual noise or vibration, immediately shut off the engine, disconnect the spark plug wire, and check for the cause. An unusual noise or vibration is generally a warning of an issue with the machine.
- Use only accessories approved by the manufacturer. Failure to do so can result in personal injury.
- Maintain the machine. Check for misalignment or binding of moving parts, breakage of parts and any other condition that may affect the machine's operation. If damaged, have the machine repaired before use. Many accidents are caused by poorly maintained equipment.
- Keep the engine and exhaust free of grass, leaves, excessive grease or carbon build up to reduce the chance of a fire hazard.
- Never douse or squirt the unit with water or any other liquid. Keep handles dry, clean and free from debris. Clean after each use.
- Observe proper disposal laws and regulations for gas, oil, etc. to protect the environment.
- Don't store the machine where children will be able to access it. Don't allow persons unfamiliar with the machine or these instructions to operate it. The machine is dangerous in the hands of untrained users.

SERVICE

- Before cleaning, repair, inspecting, or adjusting, shut off the engine and make certain all moving parts have stopped. Disconnect the spark plug wire and keep the wire away from the plug to prevent accidental starting.
- Have your machine serviced by qualified repair personnel using only approved replacement parts. This will ensure that the machine remains safe to use.

SPECIFIC SAFETY RULES

- Thoroughly inspect the area to be worked, keep the working area clean and free of debris to prevent tripping. Operate on a flat level ground.
- Never place any part of your body where it would be in danger if movement should occur during assembly, installation, and operation, maintenance, repairing or moving.
- Keep all bystanders, children, and pets at least 20 metres away. If you are approached, stop the unit immediately.
- Do not mount on dump box and never carry passengers.
- Never park the machine in a place with unstable ground which could give way, particularly when it is full.
- Disengage clutch lever before starting the engine.
- Start the engine carefully according to instructions and with feet well away from the moving parts.
- Never leave the operating position when the engine is running.
- Always hold the unit with both hands when operating. Keep a firm grip on the handlebars. Be aware that the machine may unexpectedly bounce upward or jump forward if the machine should strike buried obstacles such as large stones.
- Walk, never run with the machine.
- Do not overload the machine capacity. Drive at a safe speed, adjusting the speed to the slope of the land, the surface conditions of the road, and the weight of the load.
- Use extreme caution when in reverse or pulling the machine towards you.
- Exercise extreme caution when operating on or crossing gravel drives, walks, or roads. Stay alert for hidden hazards or traffic.
- On soft ground, drive at the first forward/reverse gear. Do not rapidly accelerate, turn sharply or stop.
- Pay the utmost attention when working on frozen ground as the machine may tend to skid.
- If possible, avoid driving on pebbly river bed, crushed stone terrains, steel concrete, stumpy field, logs etc., since such operation causes fatal damage or shortens life span of tracks.
- Do not operate the machine in confined areas where there may be a risk of crushing the operator between the machine and another object.
- Never operate the machine on slopes where angle is over 20°.
- When moving over a slope, whether moving forward or in reverse, always make certain that the weight is evenly balanced. Always move in directions parallel with the slope (up or down). To avoid danger, do not shift gears on slopes.
- When tipping the load from a dumper, the centre of gravity will change continuously, and the ground conditions will be essential for the stability of the machine. There are special hazards for dumpers
- working on soft ground and when the load is sticking to body e.g. wet clay.

PROTECT THE ENVIRONMENT

- Recycle unwanted materials to an authorised collection point or follow the stipulations in the country where the machine is used. Do not discharge into drains, soil or water.

ENGINE MANUFACTURER

- The Engine manufacturer is responsible for all engine-related issues with regards to performance, power rating, specifications, warranty and service. Please refer to the Engine Manufacturer's owner's/operator's manual, packed separately with your unit, for more information.

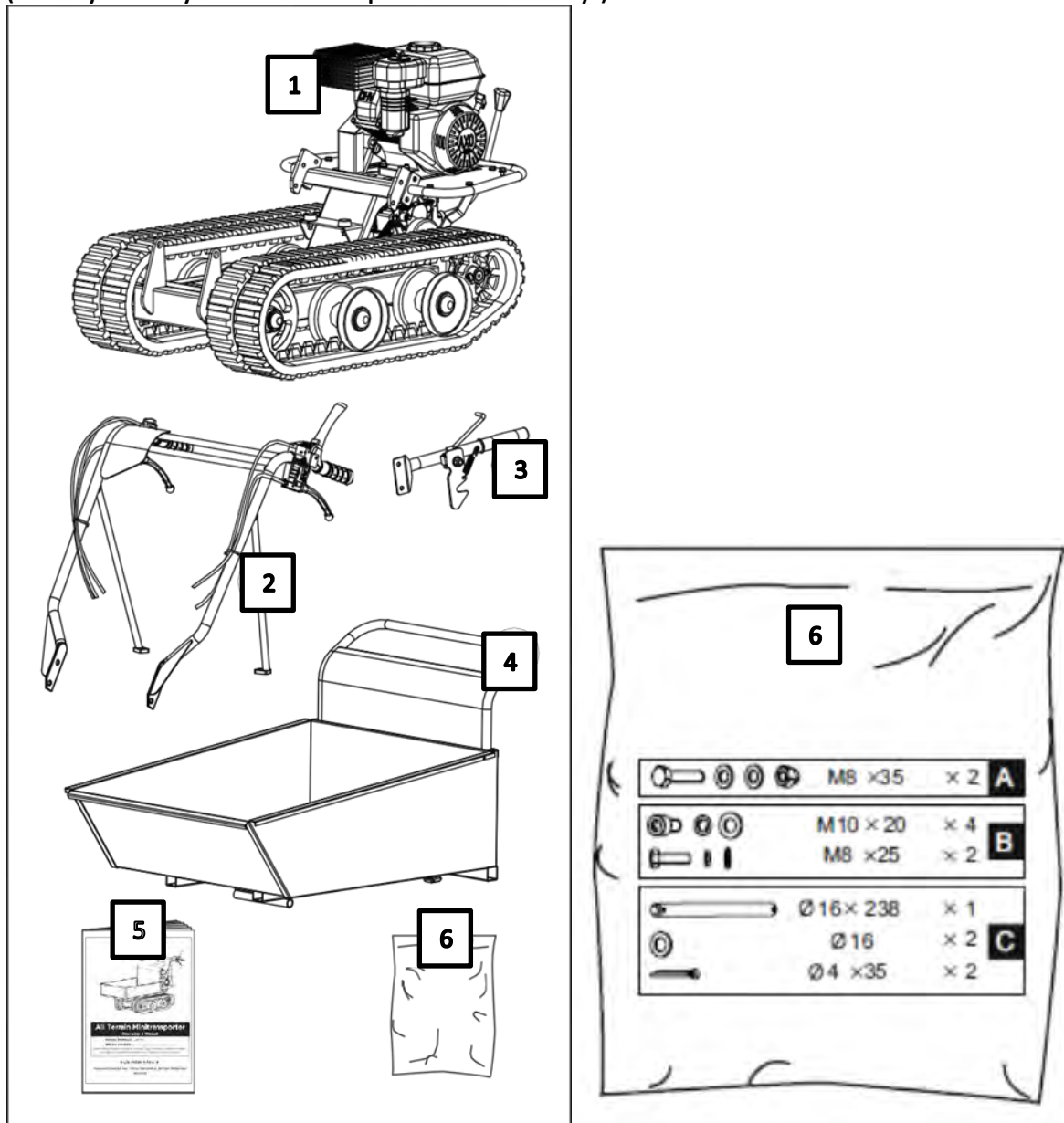
COMPONENTS

The machine is supplied partially assembled from the Distributor. Ensure all the components are included in your package. If you believe you are missing or have received defective parts, please contact:

Email: customerservice@handydistribution.co.uk

Telephone: 01793 333212

(Monday to Friday – 8.00am to 5.30pm excl. Bank Holidays).



1. Main Body, Engine & Transmission
2. Handle Assembly
3. Tipping Handle
4. Tub
5. Machine Instruction Manual x1 – Briggs & Stratton Engine Manual x1
6. Hardware Park

ASSEMBLY

Follow the below assembly instructions carefully, you should be able to assemble the machine in a short period.



WARNING

If any parts are damaged or missing do not operate this product until the parts are replaced. Failure to heed this warning could result in serious personal injury.

Do not attempt to modify this product or create accessories not recommended for use with this product. Any such alteration or modification is misuse and could result in a hazardous condition leading to possible serious personal injury.

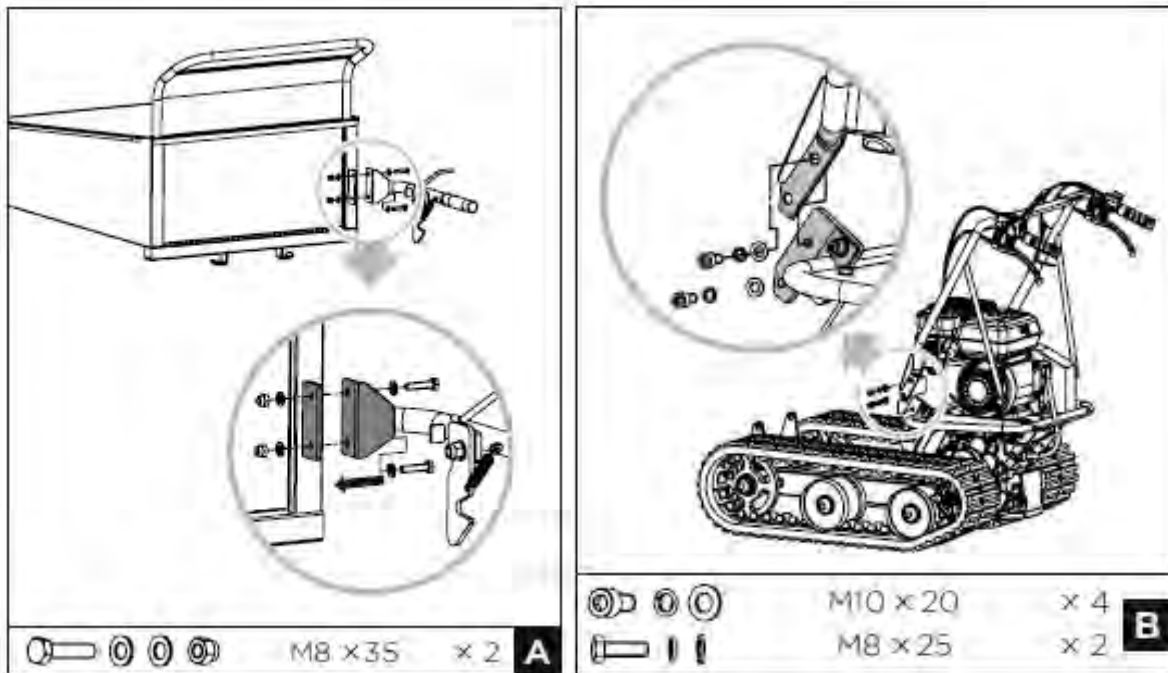
Do not connect to power supply until assembly is complete. Failure to comply could result in accidental starting and possible serious personal injury.

STEP A

Mount the tipping handle on the right side of the box. Align the holes and fasten with two M8x35 hex bolts, four washers and two nuts.

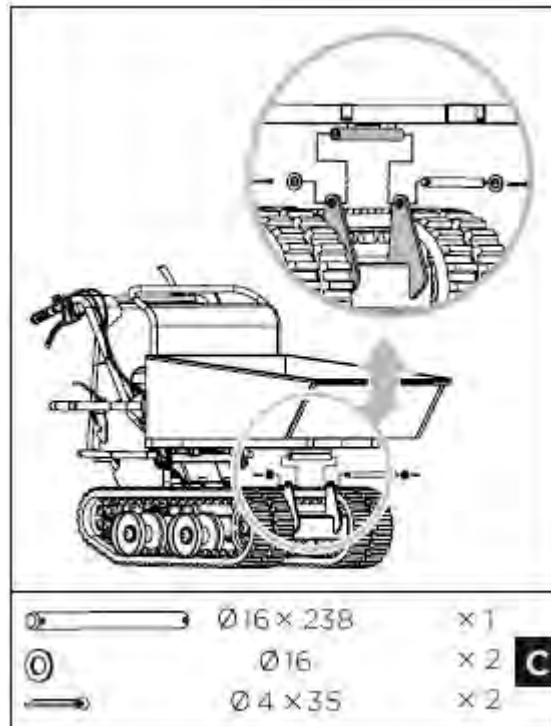
STEP B

Align the holes of the handlebar with the mount bracket and secure each with a spring washer, flat washer and a M10x20 bolt. Fasten each handlebar support onto the engine deck with a spring washer, flat washer and a M8x25 hex bolt.



STEP C

Position the bottom panel inside the mounting bracket. Align the holes with the mounting bracket. Insert a long pin through the holes and secure each side with a flat washer and cotter pin



ENGINE OIL

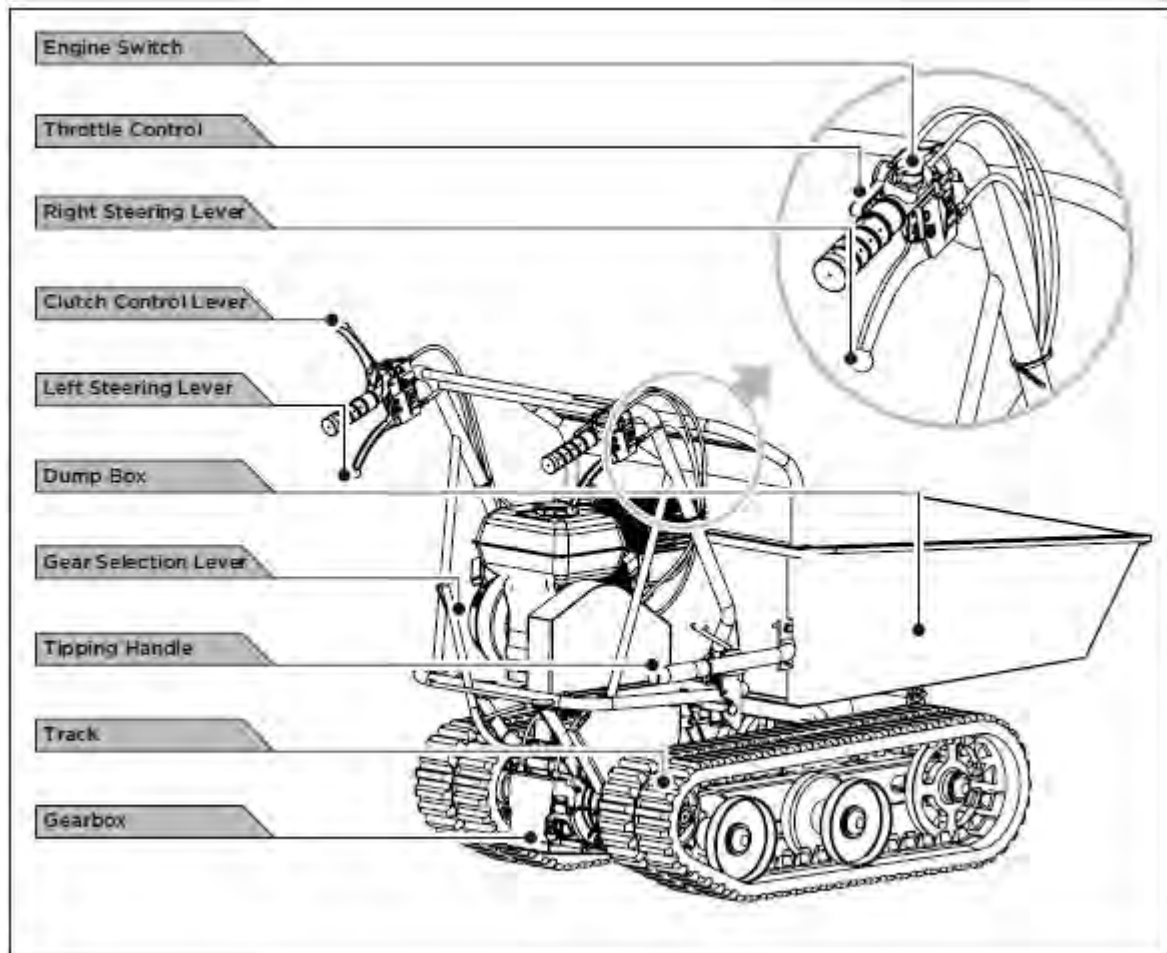


Oil has been drained for shipping.

Failure to fill engine sump with oil before starting engine will result in permanent damage and will void engine warranty.

Add oil according to Engine Manual packed separately with your unit.

KNOW YOUR MACHINE



ENGINE SWITCH

The engine switch enables and disables the ignition system.

The engine switch must be in the ON position for the engine to run.

Turning the engine switch to the OFF position stops the engine.

CLUTCH CONTROL LEVER

Squeeze the control lever to engage the clutch. Release the lever to disengage the clutch.

THROTTLE CONTROL

This controls the engine speed. The throttle control can be set at low speed (L), high speed (H) or an intermediary position between L and H.

LEFT STEERING LEVER

Operate the lever to turn left.

RIGHT STEERING LEVER

Operate the lever to turn right.

GEAR SELECTION LEVER

It controls forward or reverse movements of the machine.

TIPPING HANDLE

This controls the tipping of the dump box. Pull the handle up to release the dump box's locking device and raise the dump box.

When the dump box is lowered, the locking mechanism operates, locking the dump box. To check whether the dump box is locked securely, try to lift it without pulling up the tipping handle.

FUEL SAFETY

FUEL & OIL



WARNING

YOUR MACHINE IS SUPPLIED WITHOUT ENGINE OIL OR PETROL

Operating the engine with insufficient oil, can have catastrophic consequences. Any failure caused by insufficient oil, will not be covered by the manufacturer's warranty.

READ INSTRUCTIONS CAREFULLY.



Fuel & its vapors are very flammable. Do not use or fuel the machine near a flame, sparks or while smoking. Allow the engine to cool for more than 3 minutes, before re-fueling. Never fuel the machine with engine running. Fuel the engine at least 15 metres away from your work area. Always fuel your machine outdoors.

IMPORTANT:

Fuel which is older than 30 days old can become stale and cause acid & gum deposits in the fuel system or essential carburettor components. This could result in starting issues which would not be covered by your manufacturer's warranty.

Ensure that any stored petrol is clearly marked in a separate appropriate canister for a maximum of 30 days, if not mixed with a fuel additive. If the machine is not going to be used for a long period, drain the fuel tank, start the engine and drain the carburetor of any remaining fuel.

To keep fuel fresh, we recommend you use SURE-START FUEL ADDITIVE (HP-199) from Handy Parts. A fuel additive added to your fuel at the time of purchase, will help make your machine easier to start, extend the shelf life of your fuel mixture for up to two years, keeps the carburettor & engine clean, plus reduces emissions and increases fuel economy. A 250ml bottle of SURE-START FUEL ADDITIVE will treat 25 litres of fuel. Only use 4-stroke SAE30 or 10W/30 air cooled lawnmower engine oil. **DO NOT USE** automotive or marine oil.

- Fuel is highly flammable, and its vapours can explode if ignited. Take precautions when using to reduce the chance of serious personal injury.
- Only refill or drain the fuel tank in a clean well-ventilated outdoor area. Use an approved fuel storage container. Do not smoke, or allow sparks, open flames or other sources of ignition near the area while adding fuel or operating the unit. Never fill the fuel tank indoors.
- Keep grounded conductive objects, such as tools, away from exposed, live electrical parts and connections to avoid sparking or arcing. These events could ignite fumes or vapours.
- Always stop the engine and allow it to cool before filling the fuel tank. Never remove the cap of the fuel tank or add fuel while the engine is running or when the engine is hot. Do not operate the machine with known leaks in the fuel system.
- Loosen the fuel tank cap slowly to relieve any pressure in the tank.
- Never overfill the fuel tank. Fill the tank to no more than 12.5mm (1/2") below the bottom of the filler neck to allow space for expansion as the heat of the engine can cause fuel to expand.
- Replace all fuel tank and container caps securely and wipe up spilled fuel. Never operate the unit without the fuel cap securely in place.
- Avoid creating a source of ignition for spilled fuel. If fuel is spilled, do not attempt to start the engine but move the machine away from the area of spillage and avoid creating any source of ignition until fuel vapours have dissipated.
- Store fuel in containers specifically designed and approved for this purpose.
- Store fuel in a cool, well-ventilated area, safely away from sparks, open flames or other sources of ignition.
- Never store fuel or a machine with fuel in the tank inside a building where fumes may reach a spark, open flame, or other sources of ignition, such as a water heater, furnace, clothes dryer or similar.
- Allow the engine to cool before storing in any enclosure.



ADDING FUEL

**Fill the fuel tank as instructed in the separate Engine Manual packed with the machine.
Fill the tank to no more than 12.5mm (1/2") below the bottom of the filler neck to allow space for expansion.**

CAUTION

Engine Oil has been drained for shipping.

Failure to fill the engine sump with oil before starting the engine will result in permanent damage and will void the engine manufacturers warranty.

ADD OIL ACCORDING TO THE ENGINE MANUFACTURERS ENGINE MANUAL, PACKED SEPERATELY WITH YOUR MACHINE.

OPERATION

- Never park the machine in a place with unstable ground which could give way, particularly when the dump box is full.
- Disengage the clutch lever before starting the engine.
- Start the engine carefully according to the instructions and with your feet well away from the moving parts.
- Never leave the operating position when the engine is running.
- Always hold the unit with both hands when operating. Keep a firm grip on the handlebars. Be aware that the machine may unexpectedly bounce upward or jump forward if the machine should strike buried obstacles such as large stones.
- Walk, never run with the machine.
- Do not load the machine over its capacity. Drive at a safe speed, adjusting the speed to the slope of the land, the surface conditions of the road, and the weight of the load.
- Use extreme caution when in reverse or pulling the machine towards you.
- Exercise extreme caution when operating on or crossing gravel drives, walks, or roads. Stay alert for hidden hazards or traffic.
- On soft ground, drive at the first forward/reverse gear. Do not rapidly accelerate, turn sharply or stop.
- Pay the utmost attention when working on frozen ground as the machine may tend to skid.
- If possible, avoid driving on pebbly river beds, crushed stone terrains, steel, concrete, stumpy field, logs etc., since such operation will cause fatal damage or shorten the life span of the tracks.
- Do not operate the machine in confined areas where there may be a risk of crushing the operator between the machine and another object.
- Never operate the machine on slopes where the angle is over 20° degrees.
- When moving over a slope, whether moving forward or in reverse, always make certain that the weight is evenly balanced. Always move in directions parallel with the slope. To
- avoid danger, do not shift gears on slopes.
- When tipping the load from the dumper, the centre of gravity will change continuously and the stability of the machine will vary depending on the conditions of the ground beneath it. There are special hazards for dumpers working on soft ground and when the load is sticking to the machine e.g. wet clay.

STARTING THE ENGINE

A more detailed description of the engine operation and all related precautions and procedures can be found in the Engine Manual packed separately with the Mini Transporter.

Follow the procedure below for cold starts:

1. Turn choke lever on the engine to full choke position.
2. Set the throttle lever on the handlebar at halfway position.
3. Turn the engine switch on.
4. Pull the starting rope slowly several times to allow the gasoline to flow into the engine's carburettor. Then hold the start handle firmly and pull rope out a short distance until you feel some resistance. Then pull the rope smoothly and briskly and allow rope to return gently. Do not let the rope snap back. If necessary, pull the rope several times until the engine starts.
5. Allow the engine to run for several seconds to warm up. Then, gradually move chock lever to "OPEN" position.

Restarting an engine that is already warm from previous running does not normally require use of the choke.

1. Set the throttle lever on the handlebar at halfway position.
 2. Hold the start handle firmly and pull rope out a short distance until you feel some resistance. Then pull the rope smoothly and briskly and allow rope to return gently. Do not let the rope snap back.
- After engine warms up, pull throttle lever to accelerate engine speed.
 - Engage the required gear and slowly squeeze the clutch control lever. If the gear does not engage straight away, slowly release the clutch lever and try again. In this way the Mini Transporter will start moving.
 - The Mini Transporter has the steering levers on the handle bars, and this makes steering very easy. To turn right or left, simply operate the corresponding right or left steering lever.
 - The sensitivity of the steering increases in proportion to the speed of the machine and that with the empty machine, a light pressure on the lever is all that is needed to turn. While when the machine is loaded, more pressure is required.
 - The Mini Transporter has a maximum capacity of 300kg. However, it is advisable to assess the load and adjust it according to the ground on which the machine will be used.
 - It is therefore advisable to cover such stretches using low gear and taking extra care. In such situations, the machine should be kept in low gear for the whole stretch.
 - Avoid sharp turns and frequent changes of direction while driving on the road, in particularly on rough, hard terrains full of sharp, uneven points with a high degree of friction.
 - Even though the unit has rubber tracks, remember to be careful when working in adverse weather conditions (ice, heavy rain and snow) or on types of ground that could make the Mini Transporter unstable.
 - Please note that as this is a tracked vehicle, it is subject to a considerable pitching movement when passing over bumps, holes and steps.
 - When the clutch control lever is released, the machine will stop and brake automatically.
 - If the machine is stopped on a steep slope, a wedge should be placed against one of the tracks.

IDLE SPEED

Set throttle control lever to its "SLOW" position to reduce stress on the engine when working is not being performed. Lowering the engine speed to idle the engine will help extend the life of the engine, as well as conserve fuel and reduce the noise level of the machine.

STOPPING ENGINE

To stop the engine in an emergency, simply turn the engine switch to the OFF position. Under normal conditions, use the following procedure.

1. Move the throttle lever to the SLOW position.
2. Let engine idle for one or two minutes.
3. Turn the engine switch to the OFF position.
4. Turn the fuel valve lever to the OFF position.



Do not move choke control to CHOKE to stop the Engine. Backfire or engine damage may occur.

MAINTENANCE & SERVICE

A proper maintenance and lubrication will help the machine in a perfect working condition.

PREVENTIVE MAINTENANCE

- Turn off engine and disengage all command levers.
- Engine must be cool.
- Inspect the general condition of the unit. Check for loose screws, misalignment or binding of moving parts, cracked or broken parts, and any other condition that may affect its safe operation.
- Remove all debris and other materials that may have accumulated to the track and unit. Clean after each use. Then use a premium quality lightweight machine oil to lubricate all moving parts.



Never use a pressure washer to the machine.

Water can penetrate tight areas of the machine and its transmission case and cause damage to spindles, gears, bearings, or the engine. The use of pressure washers will result in shortened life and reduce serviceability.

CLUTCH ADJUSTMENT

As clutch wears out, the same lever could have a wider opening, being so uneasy to use. This means that it is necessary to adjust the cable, setting clutch lever on its original position acting on the adjustment device and on counter-nut.

STEERING ADJUSTMENT

If you have difficulty steering the unit, you will need to adjust the steering levers with the special adjusters. Slacken off the locknut and unscrew the adjusters to eliminate the play in the cable, which can occur after initial use or normal wear. Be very careful not to unscrew the adjusters too much because this can create another problem: the loss of traction. Remember to tighten the locknut when you have finished.

GEARBOX LUBRICATION

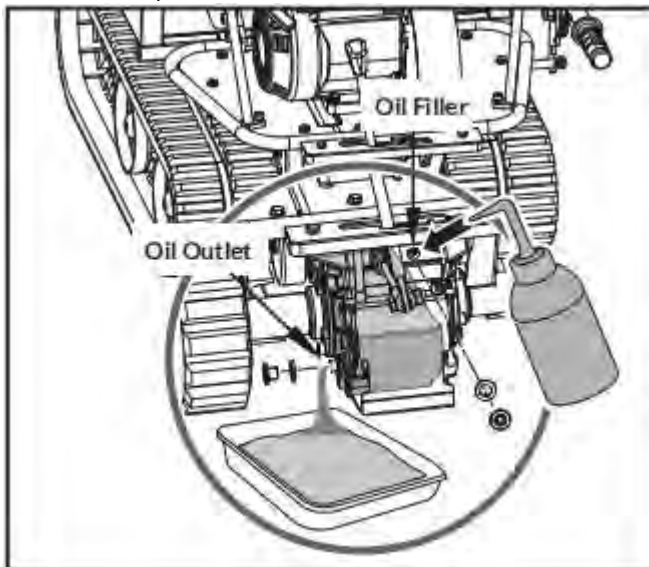
The gearbox is pre-lubricated and sealed at the factory.

Unless there is evidence of leakage or a service has to be performed on the gearbox, no additional lubrication should be required until 50 hours usage.

Check oil level every 50 hours of working. Capacity is 1.5L.

Gear oil GL-5 or GL-6, SAE80W-90 are recommended. Do not use synthetic oils.

When replacing gear oil, the engine must be stopped and still be warm. Unscrew the filter cap and drain the plug. When the oil has drained, replace the drain plug, fill with fresh recommended gear oil and then replace the oil filler cap.



TIGHTENING TRACKS

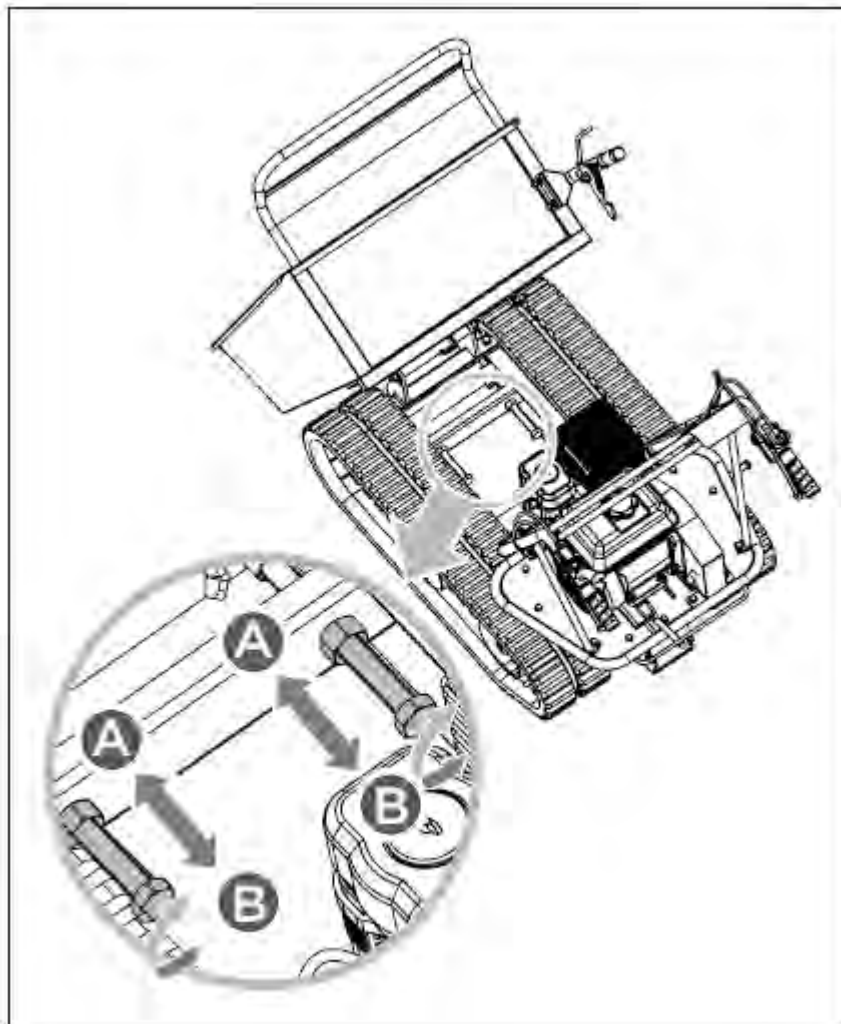
With use, tracks tend to loosen. When operating with loose tracks, they tend to slip over the driving wheel causing it to jump its housing or to work in precarious situation, thus damaging wear to the housing.

To check track tightness, proceed as follows.

1. Set the machine on a flat surface with compact ground, better on an asphalt or stone pavement.
2. Lift the machine and set it on blocks or supports rated for the weight of the machine so that the tracks are approximately 100mm off the ground.
3. Measure the track midline vs. the horizontal line. The reading must not be more than 10-15mm.

If the distance is greater, proceed as follows.

1. Use the tipping handle to tip the dump tub and set it on blocks or supports rated for the weight of the box.



2. Loosen locknut A.
3. Tighten bolt B until the correct tightness is restored.
4. Secure bolt B by tightening locknut A thoroughly.
5. Return the dump tub to its original position.



The adjustment of the track and the brakes are linked, therefore be very careful because if the track is overtightened, the braking effect will be lost.

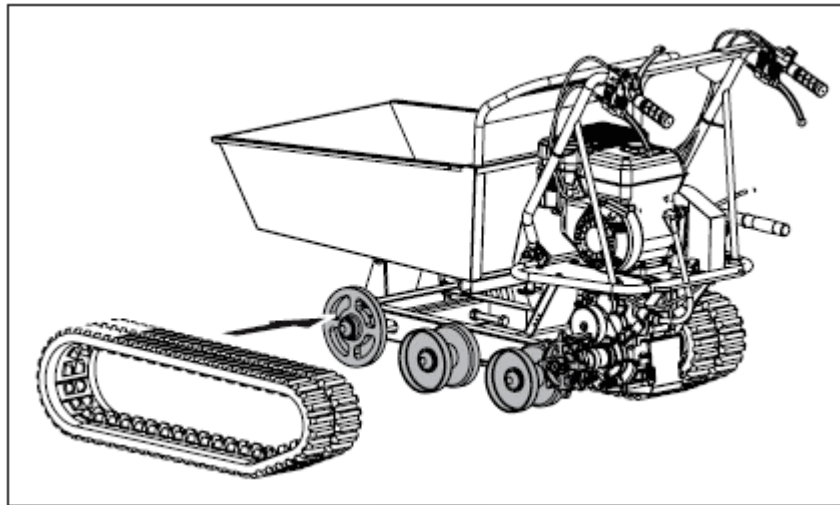


If the adjustment bolt has no more adjustment left, the tracks may have to be replaced.

REPLACING TRACKS

Check the condition of the tracks periodically. If any track is cracked or frayed, it should be replaced as soon as convenient.

1. Loosen the locknut A and bolt B shown in above figure to let the tracks loose enough.



2. Slip the old tracks off and install the new tracks.
3. Adjust bolt B to assure correct tightness.
4. Secure bolt B by tightening locknut A thoroughly.



When removing or installing the tracks, be careful not to get your fingers caught between the track and pulley.

ENGINE MAINTENANCE

Refer to the Engine Manual included with your machine for information on engine maintenance. Your engine manual provides detailed information and a maintenance schedule for performing tasks.

All engine enquiries should be raised with the engine manufacturer or one of their approved service dealers.

STORAGE

If the Mini Transporter will not be used for a period longer than 30 days, follow the steps below to prepare your unit for storage.

1. Drain the fuel tank completely. Stored fuel can start to go stale in 30 days. Stale fuel has a high gum content and can clog the carburettor and restrict fuel flow.
2. Start the engine & allow it to run until it stops. This ensures no fuel is left in the carburettor. This helps prevent deposits forming inside the carburettor and possible engine damage.
3. While the engine is still warm, but not hot, drain the oil from the engine. Refill with fresh oil of the grade recommended in the **Engine Manual**.
4. Allow the engine to cool. Remove the spark plug and put 60 ml of SAE-30 high quality motor oil into the cylinder. Pull the starter rope slowly to distribute the oil. Replace the spark plug.



Remove spark plug & drain all the oil from the cylinder before attempting to start after storage.

5. Use a clean cloth to clean off the outside of the machine and to keep the air vents free of obstructions.



Do not use strong detergents or petroleum-based cleaners when cleaning plastic parts. Chemicals can damage plastics.

Do not store the machine containing fuel in a non-ventilated area where fuel fumes may reach flames, sparks, pilot lights or any other ignition sources.

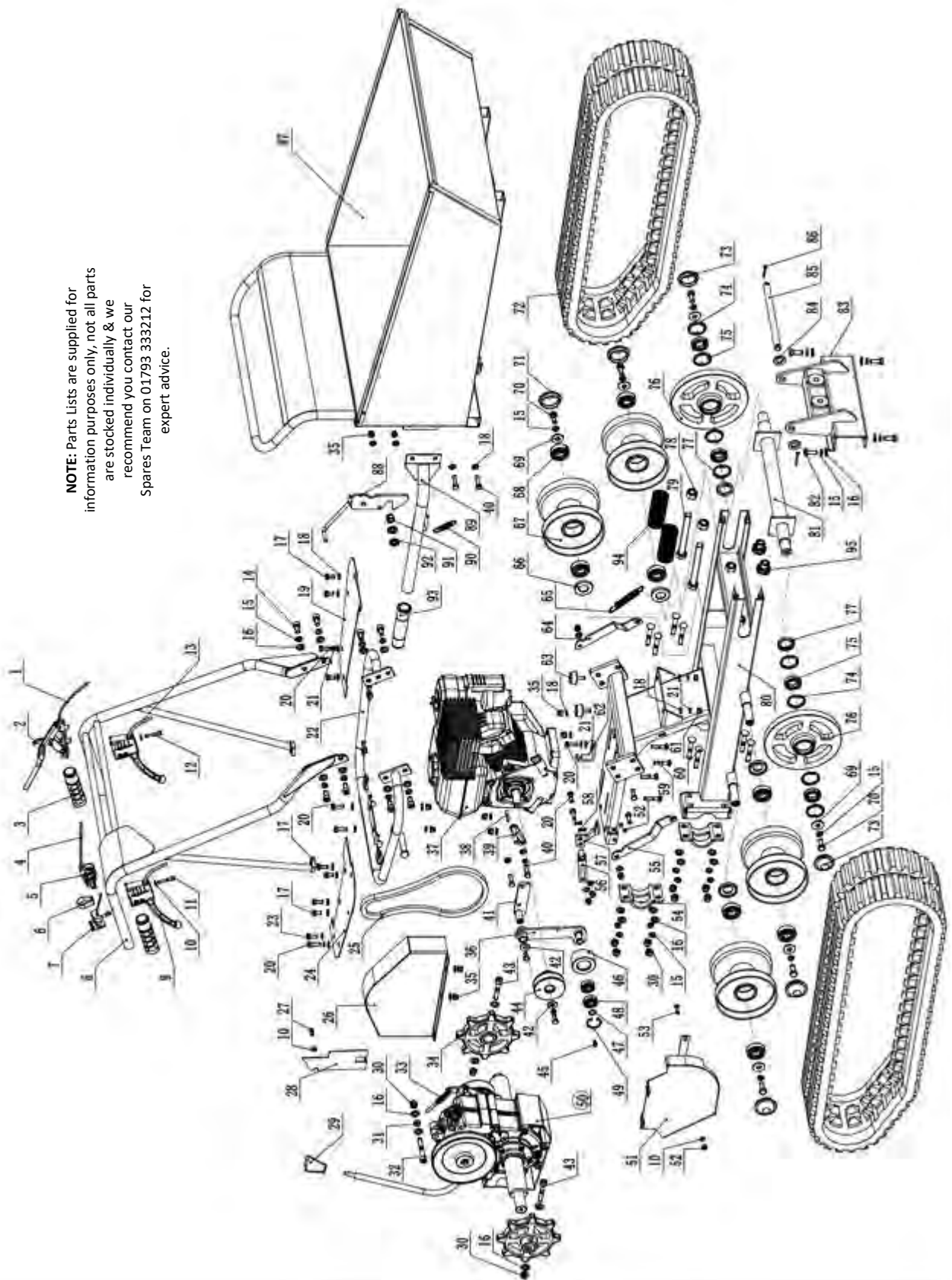
6. Inspect for any loose or damaged parts. Repair or replace damaged parts and tighten loose screws, nuts or bolts.
7. Store your unit on flat ground in a clean, dry building that has good ventilation.

TROUBLE SHOOTING

PROBLEM	CAUSE	REMEDY
Engine fails to start.	<ol style="list-style-type: none"> 1. Spark plug wire disconnected. 2. Out of fuel or stale fuel. 3. Choke not in ON Position. 4. Blocked fuel line. 5. Fouled spark plug. 6. Engine flooding. 	<ol style="list-style-type: none"> 1. Attach spark plug wire securely to the spark plug. 2. Fill with clean, fresh petrol. 3. Throttle must be positioned at choke for a cold start. 4. Clean the fuel line. 5. Clean, adjust gap, or replace. 6. Wait a few minutes to restart, but do not prime.
Engine runs erratically.	<ol style="list-style-type: none"> 1. Spark plug wire loose. 2. Unit running on CHOKE. 3. Blocked fuel line or stale fuel. 4. Vent plugged. 5. Water or dirt in fuel system. 6. Dirty air cleaner. 7. Improper carburetor adjustment 	<ol style="list-style-type: none"> 1. Connect and tighten the spark plug wire. 2. Move the choke lever to OFF. 3. Clean the fuel line. Fill the tank with clean, fresh petrol. 4. Clear vent. 5. Drain fuel tank. Refill with fresh fuel. 6. Clean or replace air cleaner. 7. Refer to Engine Manual
Engine overheats	<ol style="list-style-type: none"> 1. Engine oil level low. 2. Dirty air cleaner. 3. Air flow restricted. 4. Carburetor not adjusted correctly. 	<ol style="list-style-type: none"> 1. Fill the crankcase with proper oil. 2. Clean the air cleaner. 3. Remove housing and clean. 4. Refer to Engine Manual
One of the two tracks blocked	Foreign bodies have worked their way between the track and the frame.	Remove the foreign body.
Machine does not move while engine is running.	<ol style="list-style-type: none"> 1. Gear is not properly selected. 2. Driving tracks not tight enough. 	<ol style="list-style-type: none"> 1. Ensure gear lever is not in-between two different gears. 2. Tighten driving tracks.

PARTS DIAGRAM – THLC09715 (193844003)

NOTE: Parts lists are supplied for information purposes only, not all parts are stocked individually & we recommend you contact our Spares Team on 01793 333212 for expert advice.



PARTS LIST– THLC09715 (193844003)

Item No.	Part No.	Description	Qty	Item No.	Part No.	Description	Qty	Item No.	Part No.	Description	Qty
1	TH5010570	Clutch Control Lever Cable	1	33	TH5010743	Brake Cable	1	65	TH5010232	Spring	1
2	TH5010567	Clutch Control Lever	1	34	TH8050089	Drive Wheel	2	66	TH2070024	Skeleton Oil Seal	4
3	TH5030108	Handle Sleeve	2	35	TH2030009	Nut M8	23	67	TH8050091	Support Wheel	4
4	TH5010059	Throttle Cable	1	36	TH8060161	Tensioner Pulley Bracket	1	68	TH2060027	Bearing 6204-2RS	8
5	TH5010295	Throttle Lever	1	37	TH5010089	B&S Euro V Engine	1	69	TH2040026	Washer 10	6
6	TH5010571	Hoop	1	38	TH2050087	Key 5x35	1	70	TH2010079	Bolt M10x25	6
7	TH5010077	ON/OFF Switch	1	39	TH8060172	Belt Protect Frame	1	71	TH5050124	Axle Head Cover (47)	4
8	TH8051110	Handle Frame Assembly	1	40	TH2010069	Bolt M8x30	3	72	TH5030061	Track 180x60	2
9	TH5010776	Right/Left Steering Lever	2	41	TH8060684	Fixed Bracket	1	73	TH5050127	Axle Head Cover(42)	2
10	TH2040002	Washer ø6	8	42	TH2040025	Washer 8	1	74	TH2040066	Circlip 42	8
11	TH2020012	Bolt M6x35	1	43	TH2020038	Bolt M10x60	2	75	TH2060035	Bear 61905-2RS	4
12	TH2020226	Bolt M6x60	1	44	TH5050145	Belt Pulley	1	76	TH8050092	Guiding Wheel	2
13	TH5010569	Right/Left Steering Lever Cable	2	45	TH2020002	Bolt M5x12	1	77	TH2070028	Sealing Ring 30X42X7	2
14	TH2020034	Bolt M10x20	8	46	TH5050158	Tensioner Pulley	1	78	TH2030023	Nut M16	2
15	TH2040012	Washer ø10	26	47	TH2040079	Circlip 15	1	79	TH2010098	Bolt M16x110	2
16	TH2040004	Washer ø10	22	48	TH2060023	Bearing 6202-2Z	2	80	TH8051109	Chassis	1
17	TH2010066	Bolt M8x16	6	49	TH2040063	Circlip 35	1	81	TH8050695	Guide Wheel/Axle	1
18	TH2040003	Washer ø8	29	50	TH8071346	Gear Box	1	82	TH2010078	Bolt M10x20	4
19	TH8050081	Soleplate (Left)	1	51	TH8050090	Large Belt Pulley Cover	1	83	TH8050684	Support Bracket	1
20	TH2010068	Bolt M8x25	12	52	TH2030008	Nut M6	2	84	TH2040007	Flat Gasket 16	2
21	TH2040011	Washer ø8	7	53	TH2010132	Bolt M6x20	1	85	TH5050126	Plain Shaft	1
22	TH8050085	Handle Mounting Frame	1	54	TH8050083	Wheel/Axle Fixing Plate	2	86	TH2050070	Pin φ4X35	2
23	TH2010067	Bolt M8x20	4	55	TH8050537	Support Plate (Right)	1	87	TH8050622	Dumper Box	1
24	TH8050082	Soleplate (Right)	1	56	TH8060649	Belt Plate	1	88	TH8060169	Locking Device	1
25	TH2080026	Belt B32	1	57	TH8051175	Connecting Angle Block	1	89	TH8050124	Tipping Handle	1
26	TH8050095	Small Belt Pulley Cover	1	58	TH2010057	Bolt M6x25	2	90	TH2030011	Nut M12	1
27	TH2010167	Bolt M6x12	1	59	TH2010136	Bolt M8x40	4	91	TH2040005	Washer 12	2
28	TH8050096	Side Plate	1	60	TH2010141	Bolt M10x65	8	92	TH5010233	Extension Spring	1
29	TH5030062	Lever Knob	1	61	TH2030019	Nut M8	8	93	TH5030009	Handle Sleeve	1
30	TH2030010	Lock Nut M10	11	62	TH8051099	Cable Fixing Base	1	94		Guiding Spring	2
31	TH5050128	Gear Box Bush	1	63	TH5030064	Rubber Stopper	2	95		Locating Sleeve	2
32	TH2020039	Bolt M10x70	1	64	TH8050536	Support Plate (Right)	1				

GJ HANDY & CO LTD USER WARRANTY POLICY

Users Statement of Warranty

Each new machine is warranted against defective material or assembly of material under normal usage. The warranty applies to the original purchaser and covers faulty parts and the labour involved in replacing and repairing those parts, which are of original manufacture.

Period of Warranty

Webb (excludes Electric Handheld, Dynamic, Heritage, Legacy), Webb Pro, Sanli Engine

- a) 2 years from the original date of sale to the first domestic user.
- b) 90 days from the original date of sale to the professional/commercial user.
- c) 90 days from the original date of sale when used for hire.
- d) A reduced warranty period of 90 days applies to those items which are subject to normal wear and tear (e.g. but not limited to wheels, tyres, cutter bars, cylinders, cutting blades, blade boss, belts, cables, nylon line & spool, collection bags, spark plugs).
- e) Engines are supplied with a separate warranty to the machine. The engine manufacturers warranty statement which will be supplied within the engine instruction manual. All enquiries and warranty repairs should be discussed with the engine manufacturer or approved warranty repair dealer.
- f) 90 days from the original date of purchase for Replacement Spare Parts (unless normal wear & tear component, which are covered for 30 days).
- g) All machines' must be serviced within the first 12 months from the original date of purchase to comply with the warranty, failure to do so will invalidate the 2nd year of the warranty.

Webb Electric Handheld, Webb Dynamic, Heritage & Legacy, The Handy, Mowerland, Q-Garden

- a) 1 year from the original date of sale to the first domestic user.
- b) 90 days from the original date of sale to the professional/commercial user.
- c) 90 days from the original date of sale when used for hire.
- d) A reduced warranty period of 90 days applies to those items which are subject to normal wear and tear (e.g. but not limited to wheels, tyres, cutter bars, cylinders, cutting blades, blade boss, belts, cables, nylon line & spool, collection bags, spark plugs).
- e) Engines are supplied with a separate warranty to the machine. The engine manufacturers warranty statement which will be supplied within the engine instruction manual. All enquiries and warranty repairs should be discussed with the engine manufacturer or approved warranty repair dealer.
- f) 90 days from the original date of purchase for Replacement Spare Parts (unless normal wear & tear component, which are covered for 30 days).

All warranty repairs must be undertaken by an authorised service dealer. These dealers have been accredited by GJ Handy & Co Ltd and agree to only use genuine parts and follow our repair procedures.

Not covered by this warranty

- a) The warranty policy does not cover any depreciation or damages caused by ordinary wear, rusting or corrosion, lack of correct maintenance or operation, misuse, abuse, lack of transportation or accident.
- b) The warranty policy does not cover any costs necessary for the standard periodic maintenance services instructed by the operator's manual, or service parts replacement which would include oil, filters, tyres, belts, brake linings, fuses, blades, seals and other service parts unless it can be proven that the item has evidence of faulty manufacture.
- c) The warranty policy will not cover failure or damage caused as a result of parts or accessories being modified without the written approval of GJ Handy & Co Ltd.
- d) The warranty policy will not cover the unit if non-genuine parts have been fitted and as a result damage has occurred to the unit.
- e) The warranty policy is non-transferable and is only applicable to the original purchaser.

Disclaimer

This warranty is only a remedy for defect of products. GJ Handy & Co Ltd will never warranty in terms of the merchantability or the fitness for a particular purpose.

No person is authorised to make any warranties, representations or promises, expressed or implied, on behalf of GJ Handy & Co Ltd, or to modify the terms conditions or limitation of this warranty policy in any way.

Neither GJ Handy & Co Ltd nor any company affiliated with GJ Handy & Co Ltd shall be liable in any event or manner whatsoever for incidental or consequential damages or injuries, including, but not limited to, loss of crops, loss of profit, out of pocket expenses or profits, rental of substitute equipment or other commercial losses.

General

Most warrantable failures show up within the first few weeks of use. These failures are usually straightforward and warranty assessment is relatively easy.

Failures relating to cutter decks and belts need careful investigation, as the cause may not always be straightforward. Look for damage to blades and pulleys especially when the cutter belt or blade boss have snapped or cracked as this could be due to impact damage.

Customers should always refer to the operator/instruction manual when any disputed problem arises, you will find most areas covered within the manual.



EC DECLARATION OF CONFORMITY

We Handy Distribution Ltd - SN3 5HY (Importer) declare that the product:

Designation: Petrol Mini Transporter

Model(s): THLC09715

Product Number: 193844003

Engine Displacement: 208 cm³

Engine Speed n₀: 3600 /min

Rated Power: 4.8 kW

Rated Loading Capacity: 300 kg

Weight: 179 kg

Type/Serial No: As per rating label on machine

Complies with the following directives:

2006/42/EC-Annex I – Machinery Directive

2000/14/EC Annex VI & 2005/88/EC - Noise Directive

The conformity assessment procedure followed was in accordance with

EN ISO 12100:2010

Notified Bodies:

Intertek Testing Services Shanghai

Address(es):

Building No. 86, 1198 Qinzhou Road (North), Caohejing Development Zone, Shanghai 200233, China

Guaranteed Sound Power Level:

(L_{WA}) 104 dB(A)

Vibration Level

Left Handle 11.03 m/s² - Right Handle 11.3 m/s²

Uncertainty K= 1.5 m/s²

Authorised signatory & technical file holder

Date:

21/02/2019

Signature:

A handwritten signature in black ink, appearing to read 'S Belcher', written over a horizontal line.

Name:

Mr Simon Belcher

Position:

Managing Director

Company:

Handy Distribution Ltd

Address:

Murdock Rd, Dorcan, Swindon, Wiltshire, SN3 5HY.

NOTES

NOTES

For spares or support of your Handy product,
please contact us:

Tel: 01793 333212

(Mon – Fri 8.00am to 5.30pm excl. Bank Holidays)

Email: customerservice@handydistribution.co.uk

To see our range of garden machinery & equipment visit:

www.thehandy.co.uk

Making gardening easier & affordable since 1938

Distributed by Handy Distribution, Murdock Road, Dorcan, Swindon, SN3 5HY