



# INSTRUCTION MANUAL

## 340kg (750lb) TOWED STEEL GARDEN TRAILER

MODEL NO: THGT750 -- PRODUCT NO: 1938211001

EN - ORIGINAL INSTRUCTIONS

ASSEMBLY REQUIRED - MINIMUM TWO PERSONS

SAVE THESE INSTRUCTIONS

SPARES & SUPPORT: 01793 333212



### FOR YOUR SAFETY

Please read & understand this manual, paying attention to the safety instructions, before use.

Incorrect use of the product could put the operator or machine in danger.

Whilst every effort has been made to ensure the accuracy of information contained in this manual, our policy of continuous improvement determines the right to make modifications without prior warning.

Images used are for illustration purposes only

*Copyright Notice*

Copyright © Handy Distribution

Permission is granted to reproduce this publication for personal & educational use only.

Commercial copying, redistribution, hiring or lending is prohibited.

No part of this publication may be stored in a retrieval system or transmitted in any other form or means without written permission from Handy Distribution.

In all cases this copyright notice must remain intact.

## **CONTENTS**

**SPECIFICATIONS**

**IMPORTANT INFORMATION**

**GENERAL SAFETY INSTRUCTIONS**

**KNOW YOUR MACHINE**

**COMPONENTS**

**ASSEMBLY**

**OPERATION**

**MAINTENANCE**

**STORAGE**

**PARTS DIAGRAM & LIST**

**WARRANTY**

**CE DECLARATION OF CONFORMITY**

### **ASSEMBLY IS REQUIRED - MINIMUM TWO PERSONS**

This product requires assembly before use. See "Assembly" section for instructions. Because of the weight and/or size of the trailer, it is recommended that another adult be present to assist with the assembly. **INSPECT ALL COMPONENTS** closely upon receipt to make sure no components are missing or damaged.

**If you require assistance with regards to the contents or operation of the machine, please contact us:**

**TEL: 01793 333212**

**EMAIL: [customerservice@handydistribution.co.uk](mailto:customerservice@handydistribution.co.uk)**

**(MON – FRI 8.00AM TO 5.30PM EXCL. BANK HOLIDAYS)**

## SPECIFICATIONS

The manufacturer reserves the right to change the product specification and livery according to continued product improvements.

Model	THGT750
Product Number	1938211001
Weight	N.W 45kg
Load Capacity	340kg (750lb)
Box & Frame	Steel
Overall Dimensions	L163 x W77 x H81cm
Internal Dimensions	L107 x W70 x H34cm
Tyre	Pneumatic - 40cm (16")
Recommended Tyre Pressure	25 PSI
Hitch Type	Pin

## IMPORTANT INFORMATION

### INTENDED USE

The garden trolley is designed for use in private gardens and primarily used around **GRASS OR LAWN AREAS**, but not in public facilities, parks or sports grounds and not for agricultural or forestry use. Never exceed the rated load capacity of 340kg (750lb).

This is a garden trolley, therefore extended use over abrasive surfaces (e.g. concrete, tarmac etc.) could cause premature wear on the trolley tyres. Commercial or industrial environments are not recommended.

When operating with a tractor, do not exceed 10mph.

Generally acknowledged accident prevention regulations and enclosed safety instructions must be observed.

Only perform work described in these instructions for use, any other use is incorrect. The manufacturer will not assume responsibility for damage resulting from such use.



### WARNING

**Read this instruction manual carefully before operating this machine. Make sure that you are familiar with the controls and properly operate the machine. Following these instructions can reduce the risk of personal injury.**

### IF NOT USED PROPERLY THIS MACHINE CAN BE DANGEROUS!

This machine can cause serious injury to the operator and others, the warning and safety instructions must be followed to ensure reasonable safety and efficiency in using this product. The operator is responsible for following the warning and safety instructions in this manual and on the machine. Never use the product unless the components are correctly positioned and operational.

### TRAINING

Read the instructions carefully: Be familiar with the controls and the proper use of the equipment.

Never allow children or people unfamiliar with these instructions to use the product.







Local regulations can restrict the age of the operator.

Keep in mind that the operator or user is responsible for accidents or hazards involving the machine that occur to other people or their property.


## GENERAL SAFETY INSTRUCTIONS

It is important that you read and understand the owner's manual and labels affixed to the machine. Learn its application and limitations as well as the specific potential hazards. Retain these instructions for future reference. The operator is responsible for following the warnings & instructions in this manual and on the product.

### SAFETY SYMBOLS

	Read & understand the operator's manual for the trailer and the ride on product used to pull the trailer before using the machine. Failure to follow instructions could result in death or serious injury.		Risk of Slicing. Keep hands out of the way of all moving parts.
	Wear gloves to protect your hands. Wear foot protection at all times.		Safety alert symbol. Used to alert you to potential personal injury hazards. Obey all safety messages that follow this symbol to avoid possible injury.
 <b>DANGER</b>	Indicates an imminently hazardous situation which, if not avoided, will result in serious injury.	 <b>WARNING</b>	Indicates a potentially hazardous situation which, if not avoided, could result in serious injury.
 <b>CAUTION</b>	Indicates a potentially hazardous situation which, if not avoided, may result in minor or moderate injury.	<b>CAUTION</b>	Used without the safety alert symbol indicates a potentially hazardous situation which, if not avoided, may result in property damage.

### IMPORTANT SAFETY WARNINGS


<b>TO REDUCE RISK OF INJURY: Before any use be sure everyone using this product reads and understands all safety instructions and other information contained in this manual.</b>

### GENERAL SAFETY

#### STAY ALERT

Do not operate the machine while under the influence of drugs, alcohol, or any medication that could affect your ability to use it properly. Do not use this machine when you are tired or distracted from the job at hand. Be aware of what you are doing at all times. Use common sense.

#### USERS

Do not at any time carry passengers sit or stand on the trailer. Do not allow children to play on, stand upon or climb in the trailer. Never allow children or people unfamiliar with these instructions to use the machine. Local regulations can restrict the age of the operator.

#### AVOID DANGEROUS CONDITIONS

Work in daylight or in good artificial light; always be sure of your footing on slopes; walk, never run with the machine; exercise extreme caution when changing direction on slopes; do not work on excessively steep slopes; use extreme caution when reversing or pulling the machine towards you; do not put hands or feet near or under rotating or moving parts.

#### KEEP BYSTANDERS AND CHILDREN AWAY

Keep unauthorised persons a safe distance away from the machine. If approached, stop the machine immediately. Do not allow children to handle, climb on or use the machine. Keep in mind the operator or user is responsible for accidents or hazards occurring to other people or their property.

### **INSPECT YOUR MACHINE**

Check all bolts, nuts, and screws for tightness before each use, especially those securing guards and drive mechanisms. Vibration during use, may cause these to loosen.

Form a habit of checking to see that all other tools/equipment are removed from the working area before turning it on. Replace damaged, missing or failed parts before using it. Warning labels carry important information. Replace any missing or damaged warning labels.

### **DRESS PROPERLY**

Do not wear loose clothing, gloves, scarfs, neckties or jewellery (rings, wrist watches), which can be caught in moving parts. Always wear long trousers. Always wear substantial non slip, substantial or heavy-duty safety footwear are highly recommended when working. Never operate barefoot or when wearing sandals. Wear a face or dust mask if the operation is dusty. Always wear safety glasses/goggles and/or face shields. Everyday eyeglasses have only impact resistant lenses; they are not safety glasses/goggles. Wear protective hair covering to contain long hair, preventing it from getting caught in machinery.

### **DO NOT OVERREACH**

Always keep proper footing and balance when using the machine. Use on slopes with great care. Never stand on the machine. Serious injury could occur if the machine is tipped or if the moving parts are unintentionally contacted. Do not store anything above or near the machine, where anyone might stand on the machine to reach them.

### **AVOID INJURY FROM UNEXPECTED ACCIDENT**

Keep hands & feet out of the way of all moving parts. Do not place any part of your body or any tool e.g. in the machine during operation.

### **DO NOT FORCE TOOL**

Do not exceed equipment maximum load capacity of 340kg (750lb). Avoid large holes and ditches when transporting loads. Always work within the rated capacity. Do not use machine for a purpose for which it was not intended. Be careful when operating on steep grades (hill) the trailer may tip over. Always operate at reduce speed in rough terrain, along creeks, ditches and on hillsides. Do not operate close to creeks, ditches and public highways. To avoid personal injury and/or equipment damage DO NOT EXCEED 10 MPH. Always use caution when loading and unloading the trailer. Only tow with recommended vehicles (Lawn/Garden Tractors and ATVs). Always secure and lock trailer to the vehicle hitch before operating.

### **TYRE INFLATION**

Only use HAND or FOOT manual operated tyre inflation machines, not mechanical and do not exceed recommended PSI.

### **NEVER LEAVE MACHINE RUNNING UNATTENDED**

Do not leave the machine unattended until it has come to a complete stop.

### **INSPECT**

Before using, always visually inspect to see that the tools are not worn or damaged. Replace worn or damaged elements and bolts in sets, to preserve balance.

### **MAINTAIN YOUR MACHINE WITH CARE**

Clean the machine immediately after use. Keep the machine clean to ensure it operates to it's full and safest performance. When maintaining this machine, only the manufacturer's original replacement parts should be used. The use of non-original manufacturer parts may invalidate your warranty.

### **PROTECT THE ENVIRONMENT**

Take left over materials to an authorised collection point or follow the stipulations in the country where the machine is used. Do not discharge into drains, soil or water.

### **STORE IDLE EQUIPMENT**

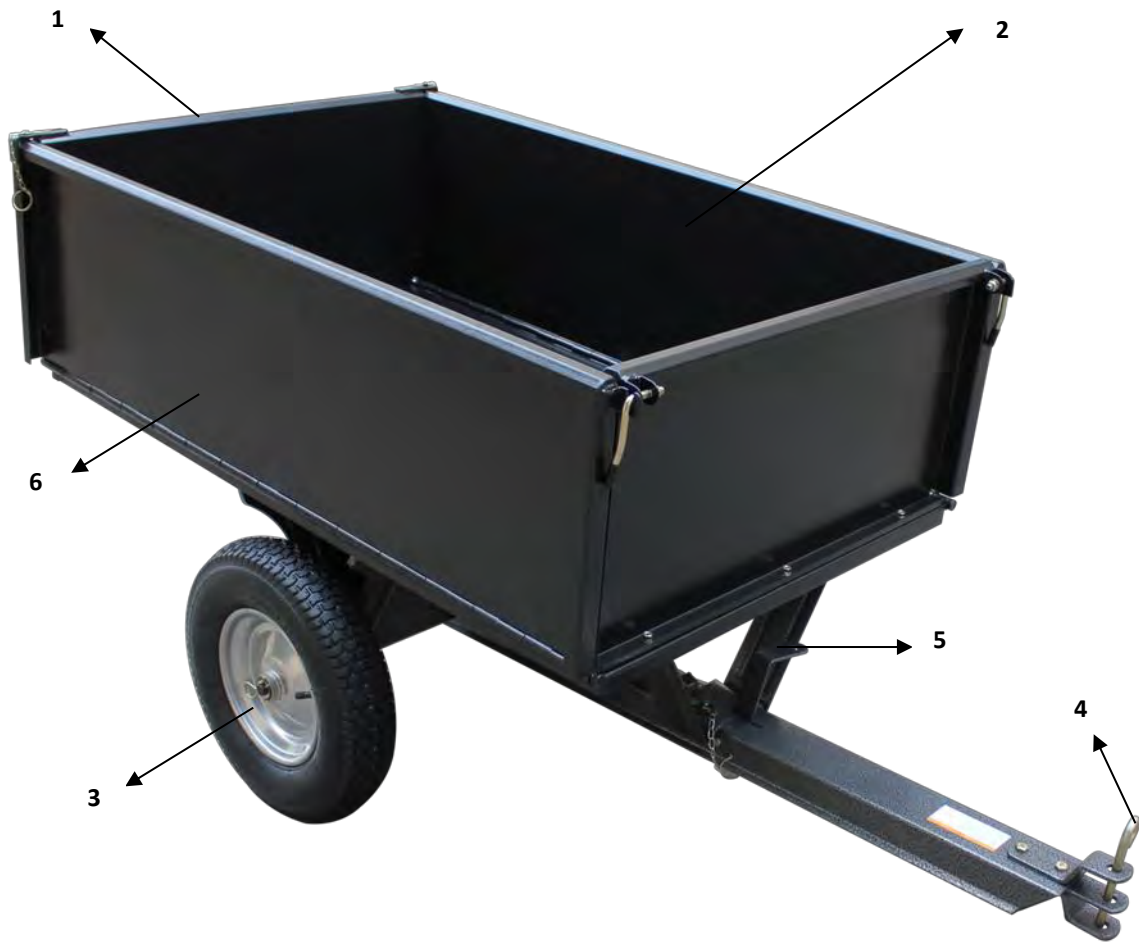
When not in use, the machine should be stored in a dry location. Keep the machine away from children and others not qualified to use it. Keep away from direct sunlight.



### **WARNING**

**The warnings, cautions, and instructions outlined in this instruction manual cannot cover all possible conditions or situations that may occur. It must be understood by the operator that common sense and caution are factors which cannot be built into this product and must be supplied by the operator.**

# KNOW YOUR MACHINE



1.	<b>Removeable Tailgate</b> Push up to remove for loading & unloading
2.	<b>Steel Load Bay</b> Do not exceed 750lb (340kg)
3.	<b>Wheel</b> Do not exceed recommended 25 PSI pressure
4.	<b>Hitch</b> Pin-type design for use with only approved ride on machinery
5.	<b>Release Pedal</b> To tip load area.
6.	<b>Side Panels</b> Can be folded for easy access to loads

## COMPONENTS

This product must be assembled correctly before use. Carefully remove the product and any accessories from the carton. Inspect the product carefully to make sure there are no breakages or damage occurred during shipping. Do not discard the packing material and carton until you have carefully inspected and satisfactorily operated the product.

Take all parts out of the shipping crate and inspect components to ensure there are no missing pieces before starting to assemble the trailer follow steps 1 through 8.

### TOOLS REQUIRED

- Screwdriver
- 10mm Wrench

**If you require assistance with regards to the contents or operation of the machine, please contact us:**

**TEL: 01793 333212**

**EMAIL: [customerservice@handydistribution.co.uk](mailto:customerservice@handydistribution.co.uk)**

**(MON – FRI 8.00AM TO 5.30PM EXCL. BANK HOLIDAYS)**



### WARNING

**If any parts are damaged or missing do not operate this product until the parts are replaced. Failure to heed this warning could result in serious personal injury.**

**Do not attempt to modify this product or create accessories not recommended for use with this product. Any such alteration or modification is misuse and could result in a hazardous condition leading to possible serious personal injury.**

**Read and follow all instructions for assembly and operation. Failure to properly assemble this equipment could result in serious injury to the user or bystanders, or cause equipment damage.**

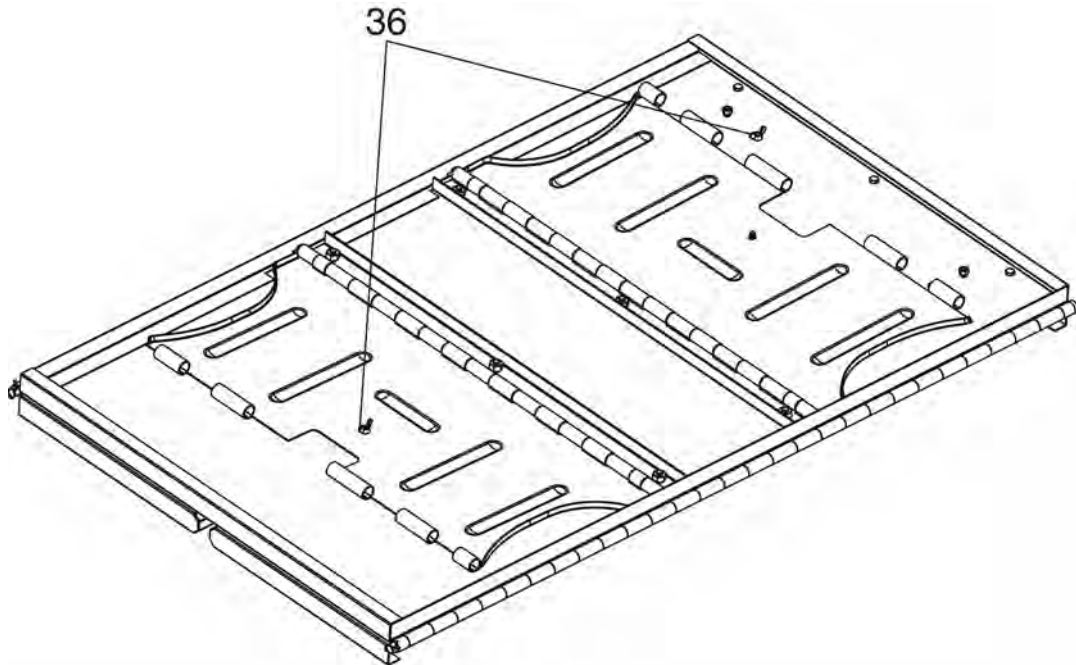


## ASSEMBLY

All numbers mentioned in the below steps are listed in the parts list and diagram, located at the rear of this instruction manual.

### STEP 1

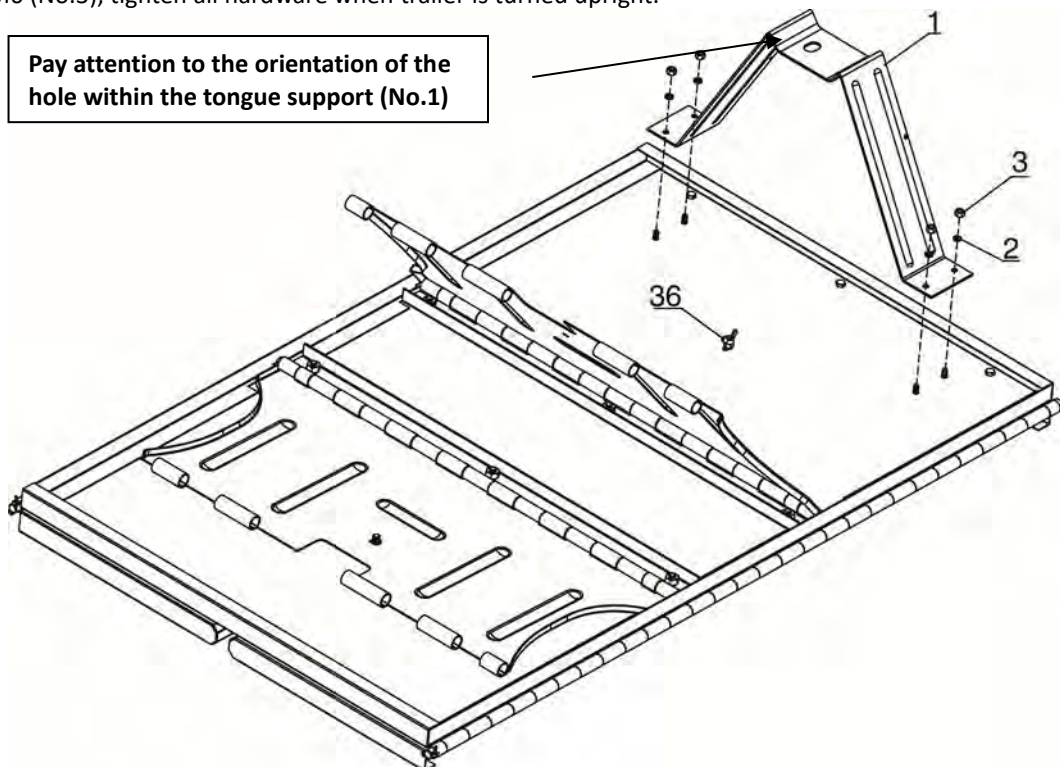
Lay down the bottom panel on a flat surface, remove the two wing nuts M6 (No.36) on the wheel axle support to release wheel axle supports, wing nuts need to reinstall after releasing wheel axle support.



### STEP 2

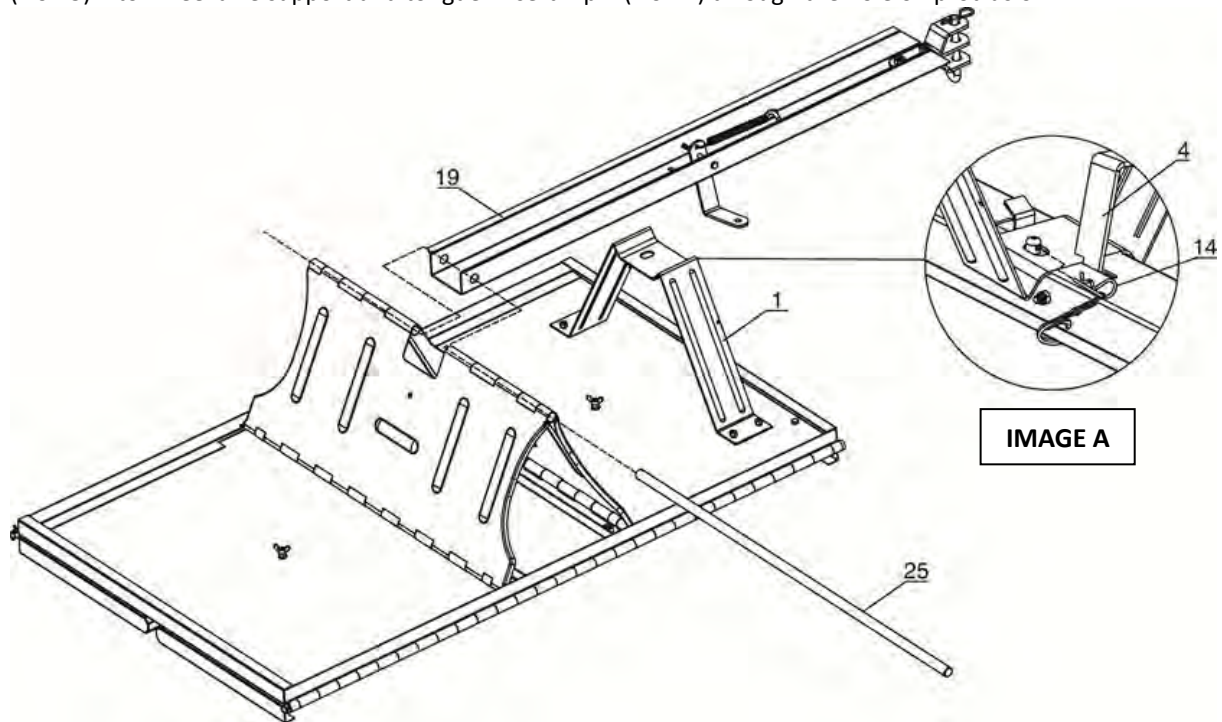
Turn up the wheel axle support and reinstall the wing nuts M6 (No.36). Remove the hex nuts M6 (No.3) and flat washers  $\varnothing 6$  (No.2) on the bottom panel, attach the tongue support (No.1) and pay attention to the orientation of the hole on tongue support, hole should be oriented as shown below. Reinstall flat washers  $\varnothing 6$  (No.2) and hex nuts M6 (No.3), tighten all hardware when trailer is turned upright.

Pay attention to the orientation of the hole within the tongue support (No.1)



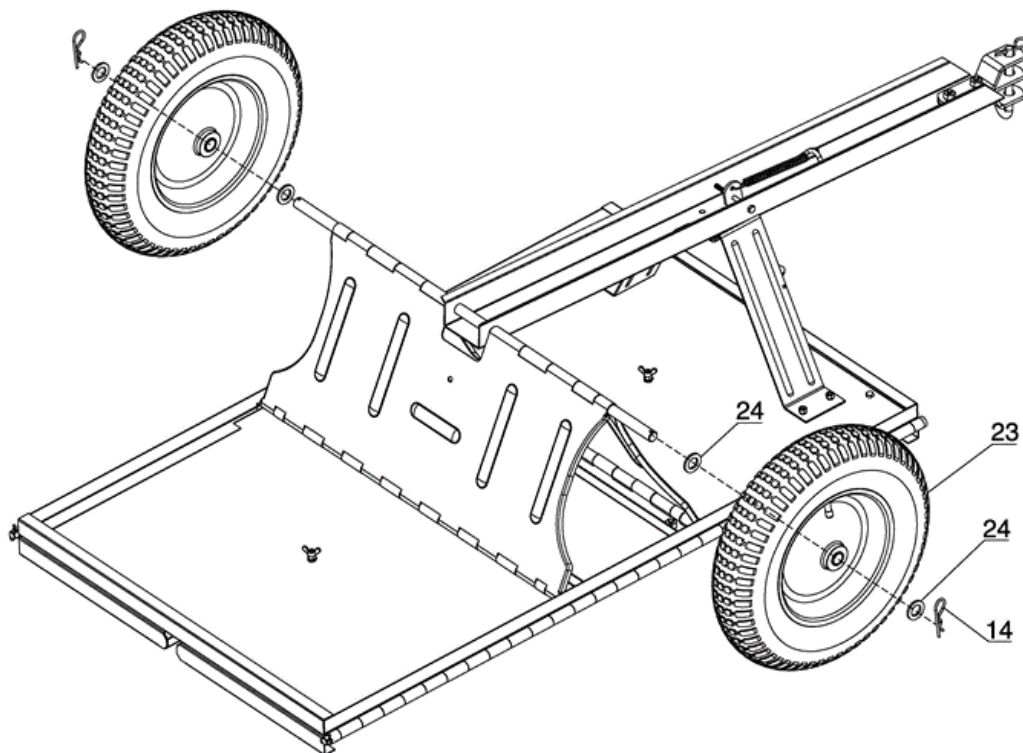
### STEP 3

Remove R pin (No.14) from tongue. Line up protrusion on tongue with hole on tongue support, slightly pull the foot pedal (No.4) back into a released position and lock while protrusion stick in place, see IMAGE A. Insert axle (No.25) into wheel axle support and tongue. Insert R pin (No.14) through the hole on protrusion.



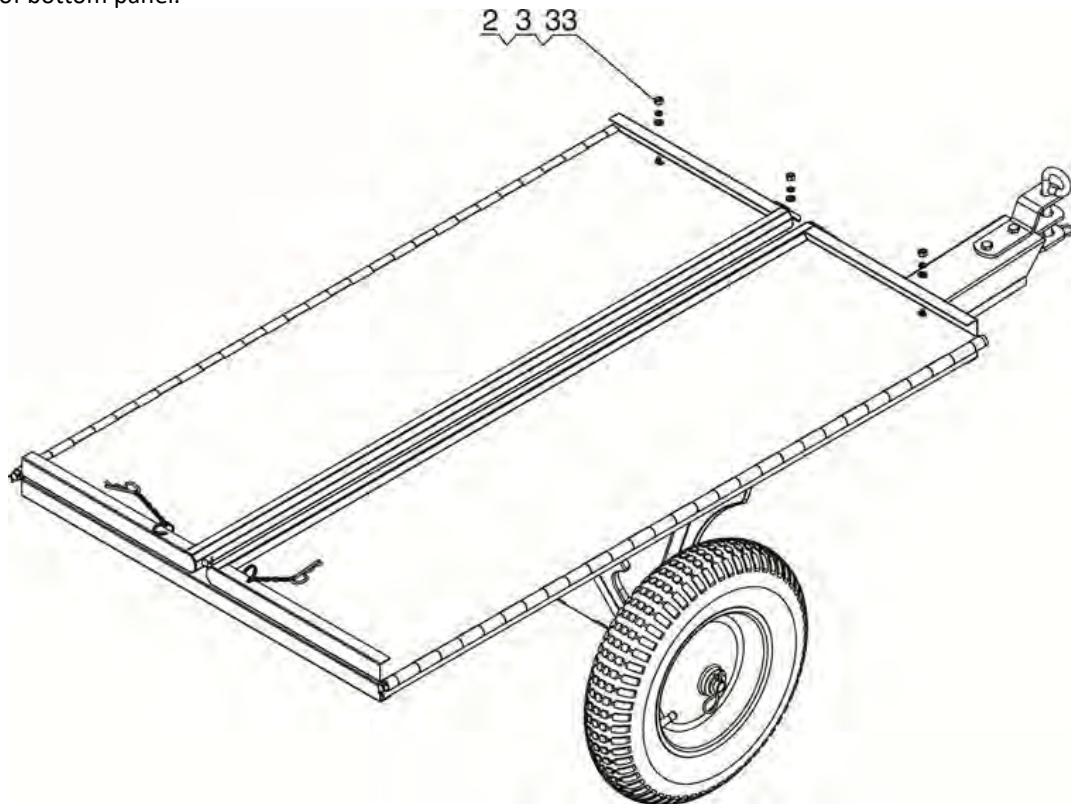
### STEP 4

Remove all flat washers and R pins from axle. Add one flat washer  $\text{\O}16$  (No.24) on one side of axle, put the wheel (No.24) on ensuring the valve is on the outside as shown below, and then put on another flat washer  $\text{\O}16$  (No.24), lock with R-pin (No.14). Repeat on the other wheel.



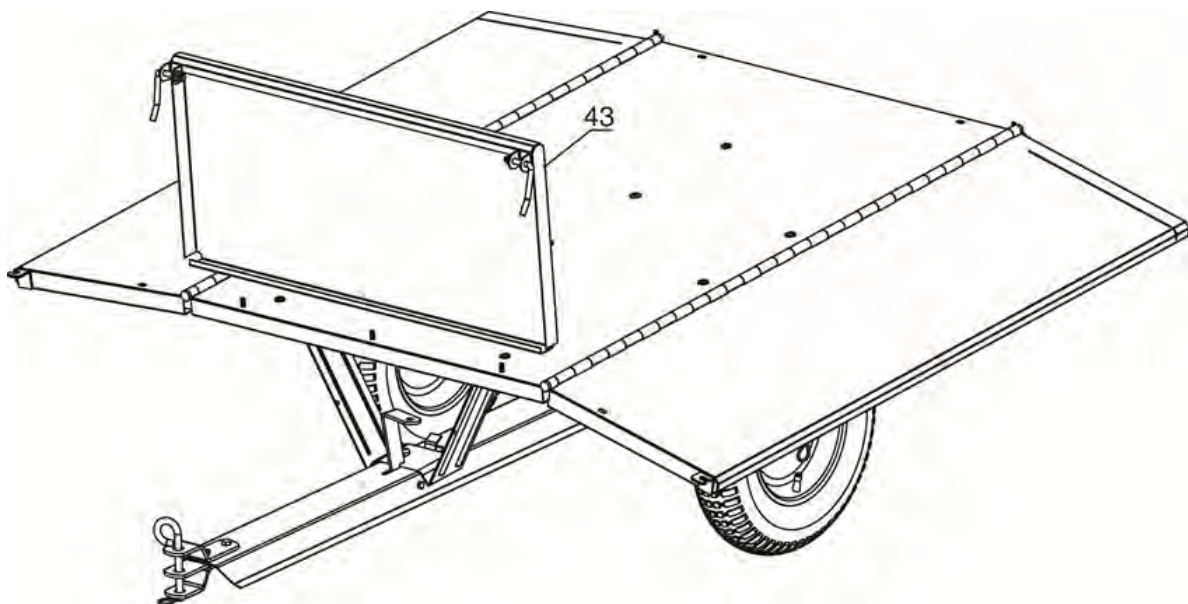
**STEP 5**

Turn the trailer upright, remove three pairs of nuts (No.3), lock washers (No.2) and flat washers (No.33) at the front of bottom panel.



**STEP 6**

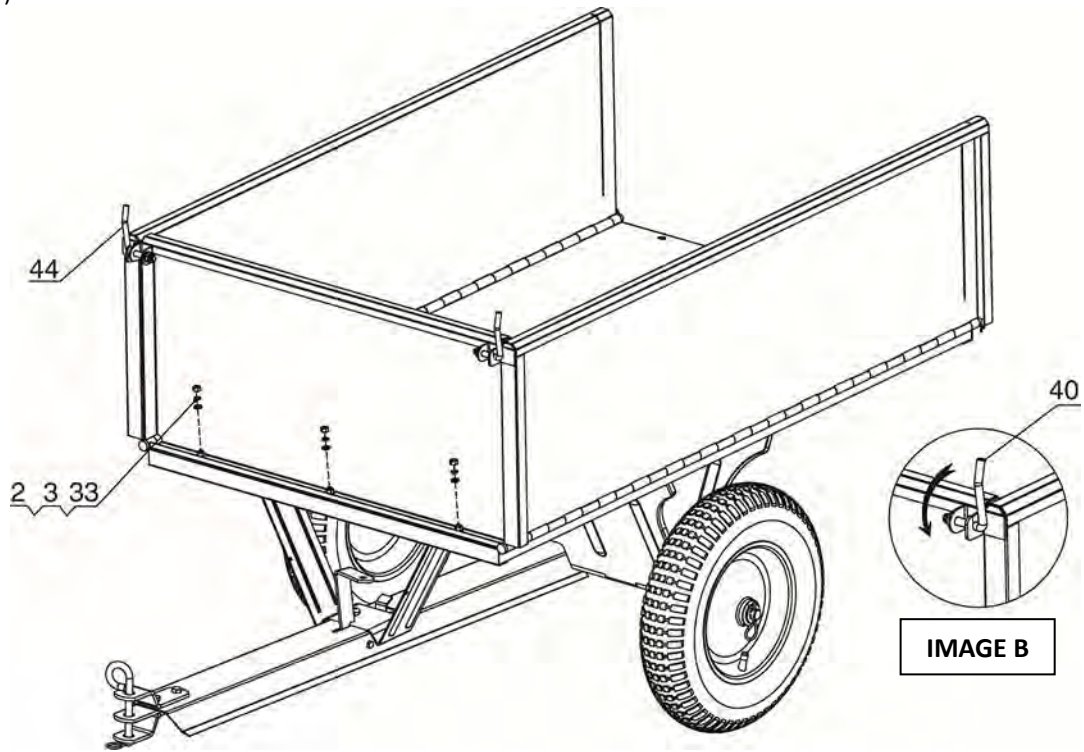
Line up the holes at the bottom of front panel (No.43) with bolt studs on the bottom panel.





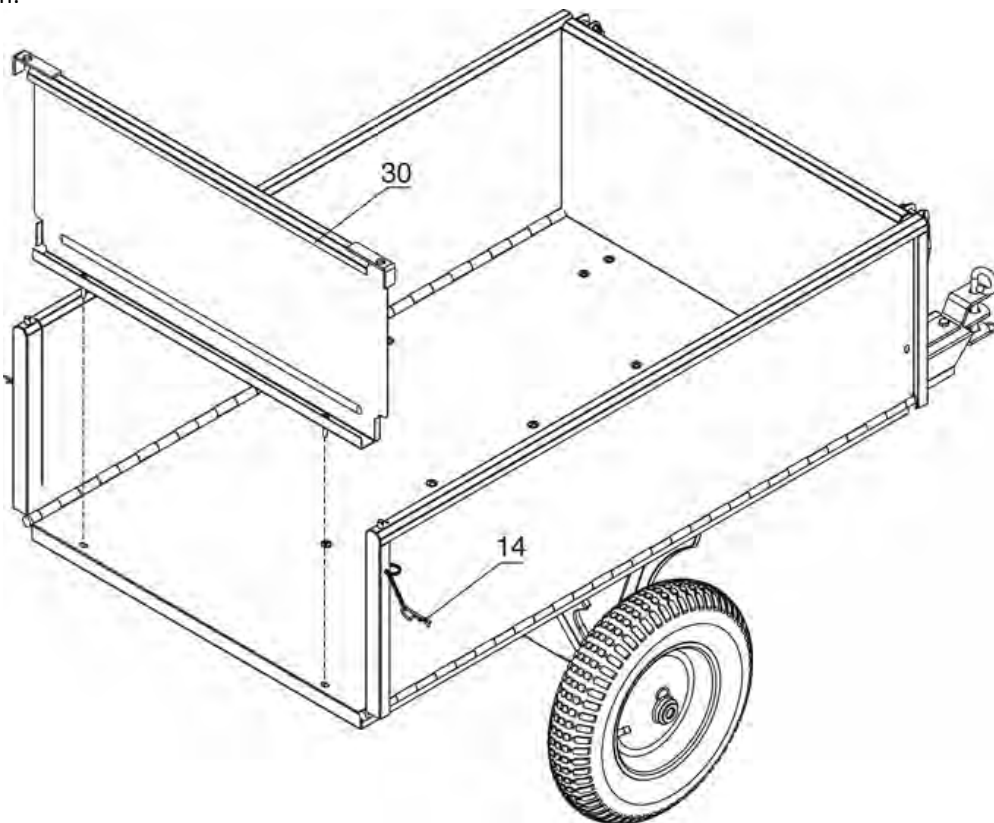
**STEP 7**

Line up the front and one of the side panels, push down L pin (No.40 & No.44) and lock, see IMAGE B. Repeat on the other side panel. Tighten the front panel with lock washer  $\varnothing 6$  (No.2), flat washer  $\varnothing 6$  (No.6) and nut M6 (No.3).



**STEP 8**

Insert the rear panel (No.30) into slots at the side panels until the end. Insert R pin (No.14) through the hole on protrusion.



## OPERATION



### WARNING

Before using the trailer, review the instructions below and safety information. Failure to follow these instructions may result in property damage or injury to the operator or bystanders.

#### USING YOUR TRAILER

1. **DO NOT** exceed rated load capacity of 340kg (750lb).
2. **ALWAYS** secure and lock the trailer to the ride on machinery hitch before operating.
3. **ONLY** use approved vehicles when towing the trailer (Lawn/Garden Tractors and ATVs).
4. **NEVER** tow the trailer with box raised.
5. **DO NOT** over fill the trailer. Overflow loads can cause the trailer and towing vehicle to lose traction and skid out of control.
6. **ONLY** fill the trailer to a comfortable tipping load. Extremely heavy loads will be difficult to operate and tip.
7. **ALWAYS** use the trailer for its intended purpose.
8. **ALWAYS** make sure that the tow vehicle and the combined weight of the operator **MUST BE** greater than the load of the trailer weight for proper control.
9. **DO NOT** use trailer on public highways or roads. This is not a road legal product. Use of this nature can cause premature wear of the tyres, not covered by the manufacturer's warranty.
10. **NEVER** exceed the recommended PSI of the tyre. Inflation must always be undertaken by a foot or hand-controlled inflation device.
11. **NEVER** exceed **10 MPH** when towing the trailer.
12. **DO NOT** make sharp turns that may cause the Lawn/Garden Tractor or ATV tyres to rub against the trailer.
13. **ALWAYS** slow down before turning.
14. **ALWAYS** use caution when backing the trailer. To avoid the trailer from "jack-knifing" always back up in a straight line.

#### ATTACHING THE TRAILER TO THE TOW VEHICLE

- Park the tow vehicle and trailer on level ground.
- Set the height adjustment handle to middle of its adjustment.
- Insert the hitch pin through the hitch brackets and towing eye of the tow vehicle and secure with the cotter pin.

#### EMPTYING THE TRAILER

- Stop the tow vehicle and turn off the engine.
- Stand to the side of the trailer.
- Ensure your footing is secure and use your foot to apply pressure to the release pedal. Ensuring the tipping trailer does not come into contact with you.
- Release carefully to rehouse trailer to frame. Ensure it is correctly housed before starting the engine of the towing vehicle.

## MAINTENANCE



### WARNING

Improper maintenance and storage of the trailer may void your warranty.

- After each use, clean material out of the trailer.
- Rinse/dry inside and outside of the trailer after each use.
- Before operating make sure the tyres have the recommended 25 PSI tyre pressure.
- Regularly grease the axle and the wheel bearing area or when needed.
- Periodically check all fasteners for tightness.
- Annually clean and lightly lubricate parts.
- Use a glossy enamel spray paint to touch up scratched or worn painted metal surfaces.
- Never exceed load capacity rating of 340kg (750lb).

**IMPORTANT:**

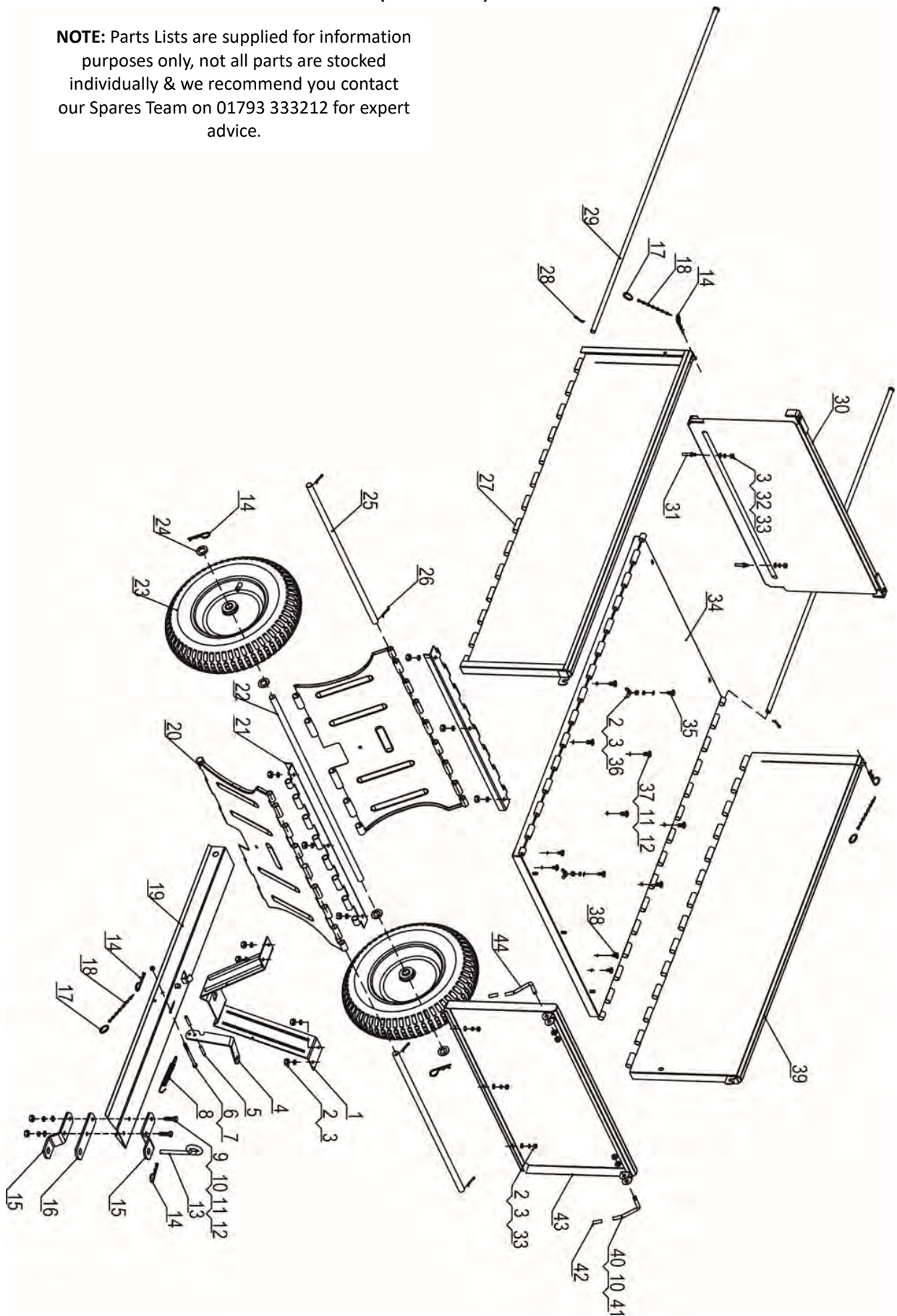
If a part needs replacement, only use parts that meet the manufacturer's specifications. Replacement parts that do not meet specifications may result in a safety hazard or poor operation.

**STORAGE**

- Never allow material to remain in the trailer for extended periods of time.
- Before storing, make sure the trailer is clean and dry for years of trouble-free service.
- Store indoors or in a protected area during severe weather and winter months.
- When storing outside, always keep the tongue a little higher than the back of the trailer to allow the moisture to easily run out the back and will not accumulate in the trailer.

# PARTS DIAGRAM – THGT750 (1938211001)

**NOTE:** Parts Lists are supplied for information purposes only, not all parts are stocked individually & we recommend you contact our Spares Team on 01793 333212 for expert advice.



## PARTS LIST – THGT750 (1938211001)

ITEM NO.	HANDY PART NO.	DESCRIPTION	QTY
1	TH253-N16000005	Tongue Support	1
2	TH253-930606000CD	Lock Washer Ø6	9
3	TH177-40	Hex Nut M6	11
4	TH253-N87900002	Foot Pedal	1
5	TH177-18	Spacer	2
6	TH177-34	Hex Bolt M6x90	1
7	TH177-38	Nylon Lock Nut M6	1
8	TH177-19	Latch Spring	1
9	TH253-910108030CD	Hex Bolt M8x30	2
10	TH177-36	Flat Washer Ø8	4
11	TH253-930608000CD	Lock Washer Ø8	8
12	TH253-920108000CD	Hex Nut M8	8
13	TH253-N18000013CD	Hitch Pin	1
14	TH177-27	R-Pin	6
15	TH253-N39000002	Hitch Pin Bracket	2
16	TH253-DC400A00004	Connecting Plate	1
17	TH253-Z33000017CD	Key Ring	3
18	TH253-DC070000004CD	Small Chain	3
19	TH253-DC070006000	Hitch Tongue	1
20	TH253-DC070007000	Wheel Axle Support	2
21	TH253-DC070000001	Connect Plate of Axle Support	2
22	TH253-DC070000003DY	Wheel Axle	1
23	TH177-3	Wheel	2
24	TH177-37	Flat Washer Ø16	4
25	TH253-DC070000002DY	Axle	2
26	TH253-940402025CD	Cotter Pin Ø2x25	4
27	TH253-DC070003000	Right Side Panel	1
28	TH253-940403025CD	Cotter Pin Ø3x25	2
29	TH253-DC070008000DY	Hinge Pin	2
30	TH253-DC070005000	Rear Panel	1
31	TH177-23	Plug	2
32	TH253-930606000CD	Lightened Lock Washer Ø6	2
33	TH177-35	Flat Washer Ø6	5
34	TH253-DC070001000	Bottom Panel	1
35	TH253-91990106016CD	Philips Big Flat Head Screw M6x16	2
36	TH253-920806000CD	Wing Nut M6	2
37	TH177-33	Philips Big Flat Head Screw M8x16	6
38	TH253-91990106014CD	Philips Big Flat Head Screw M6x14	4
39	TH253-DC070002000	Left Side Panel	1
40	TH177-22	Handle A	1
41	TH177-39	Nylon Lock Nut M8	2
42	TH253-NW0100006	Handle Sleeve	2
43	TH253-DC070004000	Front Panel	1
44	TH177-25	Handle B	1



# GJ HANDY & CO LTD USER WARRANTY POLICY

## Users Statement of Warranty

Each new machine is warranted against defective material or assembly of material under normal usage. The warranty applies to the original purchaser and covers faulty parts and the labour involved in replacing and repairing those parts, which are of original manufacture.

## Period of Warranty

### Webb (excludes Electric Handheld, Dynamic, Heritage, Legacy), Webb Pro, Sanli Engine

- a) 2 years from the original date of sale to the first domestic user.
- b) 90 days from the original date of sale to the professional/commercial user.
- c) 90 days from the original date of sale when used for hire.
- d) A reduced warranty period of 90 days applies to those items which are subject to normal wear and tear (e.g. but not limited to wheels, tyres, cutter bars, cylinders, cutting blades, blade boss, belts, cables, nylon line & spool, collection bags, spark plugs).
- e) Engines are supplied with a separate warranty to the machine. The engine manufacturers warranty statement which will be supplied within the engine instruction manual. All enquiries and warranty repairs should be discussed with the engine manufacturer or approved warranty repair dealer.
- f) 90 days from the original date of purchase for Replacement Spare Parts (unless normal wear & tear component, which are covered for 30 days).
- g) All machines' must be serviced within the first 12 months from the original date of purchase to comply with the warranty, failure to do so will invalidate the 2nd year of the warranty.

### Webb Electric Handheld, Webb Dynamic, Heritage & Legacy, Handy, Mowerland, Q-Garden

- a) 1 year from the original date of sale to the first domestic user.
- b) 90 days from the original date of sale to the professional/commercial user.
- c) 90 days from the original date of sale when used for hire.
- d) A reduced warranty period of 90 days applies to those items which are subject to normal wear and tear (e.g. but not limited to wheels, tyres, cutter bars, cylinders, cutting blades, blade boss, belts, cables, nylon line & spool, collection bags, spark plugs).
- e) Engines are supplied with a separate warranty to the machine. The engine manufacturers warranty statement which will be supplied within the engine instruction manual. All enquiries and warranty repairs should be discussed with the engine manufacturer or approved warranty repair dealer.
- f) 90 days from the original date of purchase for Replacement Spare Parts (unless normal wear & tear component, which are covered for 30 days).

All warranty repairs must be undertaken by an authorised service dealer. These dealers have been accredited by GJ Handy & Co Ltd and agree to only use genuine parts and follow our repair procedures.

## Not covered by this warranty

- a) The warranty policy does not cover any depreciation or damages caused by ordinary wear, rusting or corrosion, lack of correct maintenance or operation, misuse, abuse, lack of transportation or accident.
- b) The warranty policy does not cover any costs necessary for the standard periodic maintenance services instructed by the operator's manual, or service parts replacement which would include oil, filters, tyres, belts, brake linings, fuses, blades, seals and other service parts unless it can be proven that the item has evidence of faulty manufacture.
- c) The warranty policy will not cover failure or damage caused as a result of parts or accessories being modified without the written approval of GJ Handy & Co Ltd.
- d) The warranty policy will not cover the unit if non-genuine parts have been fitted and as a result damage has occurred to the unit.
- e) The warranty policy is non-transferable and is only applicable to the original purchaser.

**Disclaimer**

- a) This warranty is only a remedy for defect of products. GJ Handy & Co Ltd will never warranty in terms of the merchantability or the fitness for a particular purpose.
- b) No person is authorised to make any warranties, representations or promises, expressed or implied, on behalf of GJ Handy & Co Ltd, or to modify the terms conditions or limitation of this warranty policy in any way.
- c) Neither GJ Handy & Co Ltd nor any company affiliated with GJ Handy & Co Ltd shall be liable in any event or manner whatsoever for incidental or consequential damages or injuries, including, but not limited to, loss of crops, loss of profit, out of pocket expenses or profits, rental of substitute equipment or other commercial losses.

**General**

- a) Most warrantable failures show up within the first few weeks of use. These failures are usually straightforward and warranty assessment is relatively easy.
- b) Failures relating to cutter decks and belts need careful investigation, as the cause may not always be straightforward. Look for damage to blades and pulleys especially when the cutter belt or blade boss have snapped or cracked as this could be due to impact damage.
- c) Customers should always refer to the operator/instruction manual when any disputed problem arises, you will find most areas covered within the manual.



## EC DECLARATION OF CONFORMITY

We Handy Distribution Ltd - SN3 5HY (Importer) declare that the product:

**Designation:** 340kg (750lb) Towed Steel Garden Trailer

**Model(s):** THGT750

**Product Number:** 1938211001

**Type/Serial No:** As per rating label on machine

**Max Load Capacity:** 340kg (750lb)

**Complies with the following directives:**

2006/42/EC – Machinery Directive

**The conformity assessment procedure followed was in accordance with**

EN ISO 12100:2010,

EN 349:1993+A1:2008,

EN ISO 1420:2015,

EN ISO 13857:2008

**Notified Bodies:**

ENTE CERTIFICAZIONE MACCHINE

**Address(es):**

Via Ca' Bella, 243 - Loc. Castello id Serravalle - 40053 Valsamoggia (BO) - ITALY

**Authorised signatory & technical file holder**

**Date:**

14/05/2019

**Signature:**

A handwritten signature in black ink, appearing to read 'S Belcher', written over a horizontal line.

**Name:**

Mr. Simon Belcher

**Position:**

Chairman

**Company:**

Handy Distribution Ltd

**Address:**

Murdock Rd, Dorcan, Swindon, Wiltshire, SN3 5HY.

**For spares or support of your handy product,  
please contact us:**

**Tel: 01793 333212**

**Email: [customerservice@handydistribution.co.uk](mailto:customerservice@handydistribution.co.uk)  
(Mon – Fri 8.00am to 5.30pm excl. Bank Holidays)**

**To see our range of garden machinery & equipment visit:**

**[www.thehandy.co.uk](http://www.thehandy.co.uk)**

**Making gardening easier & affordable since 1938**

Distributed by Handy Distribution, Murdock Road, Dorcan, Swindon, SN3 5HY